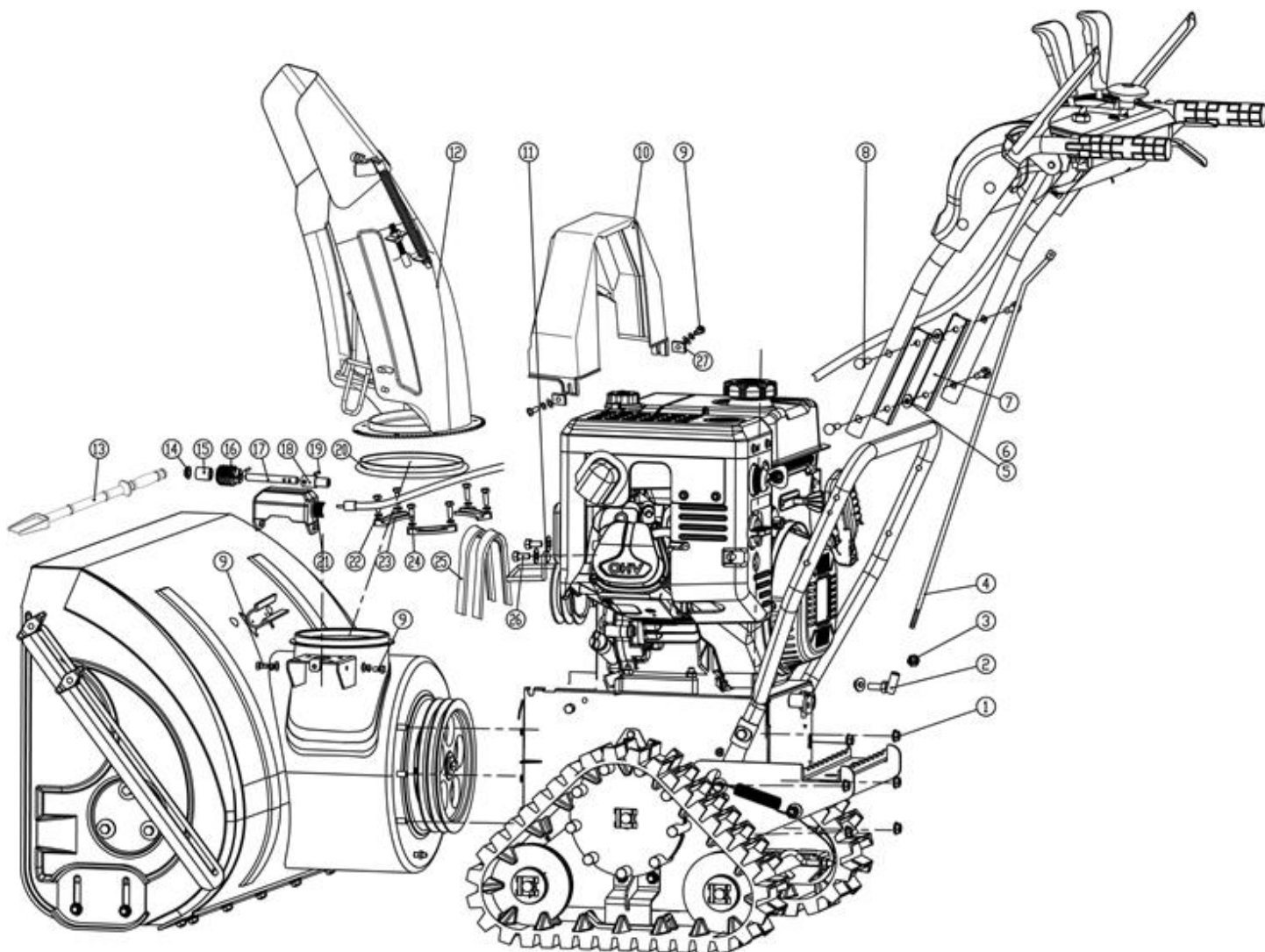


Documentatie tehnica freza de zapada Everest 804

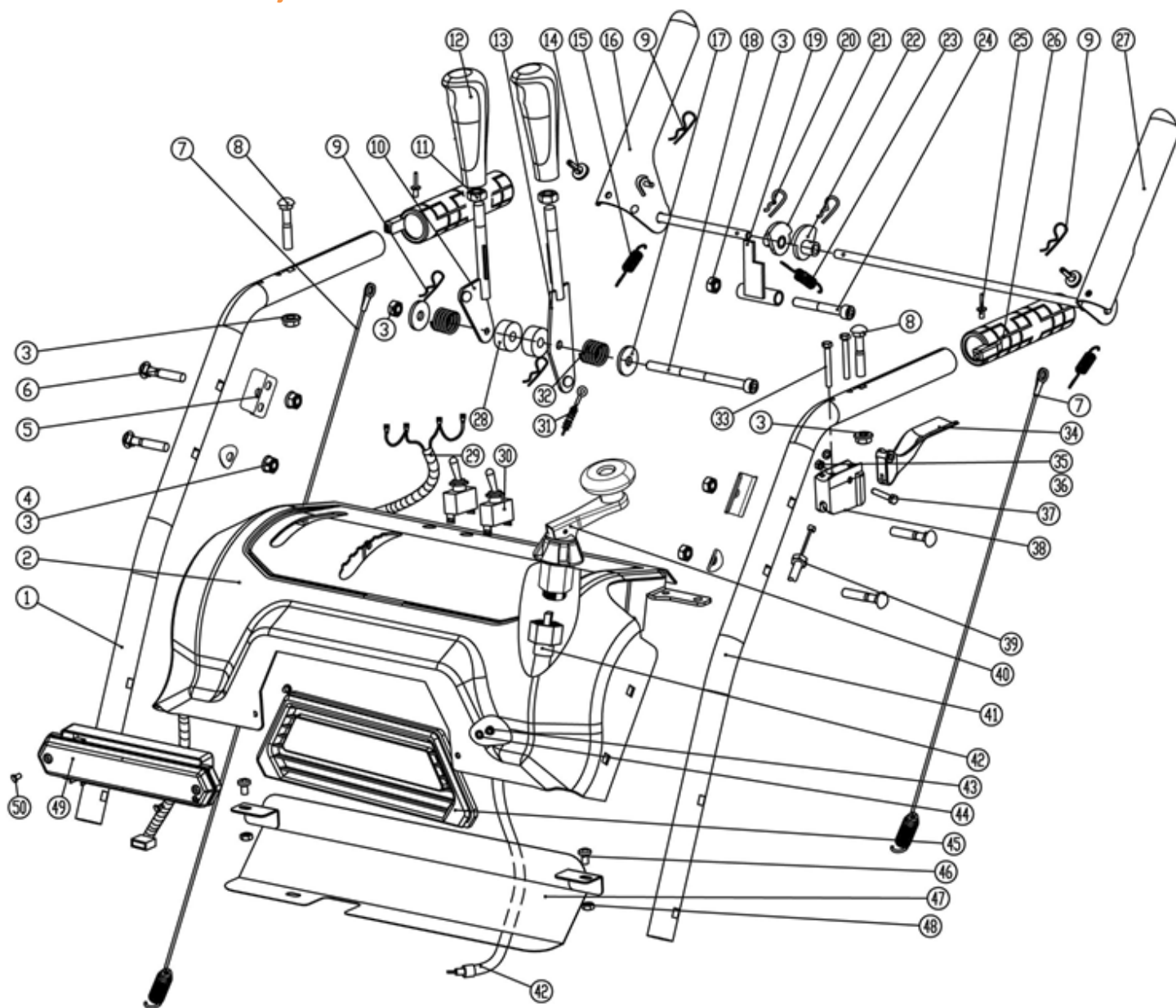


Nr.crt	Denumire produs	Product name	Cod comanda
1	piulita m8	jam nut M8	ps804-1-01
2	bucsa schimbator	right gimbal	ps804-1-02
3	piulita m8	nut M8x1	ps804-1-03
4	tija schimbator	gear connector bar	ps804-1-04
5	piulita m8	nut M8	ps804-1-05
6	saiba	Concave gasket / 8 * 22 * 2	ps804-1-06
7	ghidaj coarne	Armrest aluminum pad	ps804-1-07
8	surub m8x55	bolts M8X55	ps804-1-08
9	surub m6x16	Hexagon head combination bolts M6X16	ps804-1-09
10	capac curele	Belt cover	ps804-1-10
11	ghidaj	Belt rod	ps804-1-11

Producător motoutilaje

Documentatie tehnică

12	ansamblu jgheab	chute assebmly	ps804-1-12
13	lopatica	Snow shovel	ps804-1-13
14	saiba	Helical bracket washers	ps804-1-14
15	bucsa	Long washers	ps804-1-15
16	melc	Hollow worm	ps804-1-16
17	ax	Mandrel	ps804-1-17
18	conector inferior	Lower connection tube	ps804-1-18
19	bolt 3x18	Elastic cylindrical pin 3 * 18	ps804-1-19
20	garnitura	snow shute gasket	ps804-1-20
21	carcasa melc	Rotating aluminum frame	ps804-1-21
22	saiba elastica 6	Elastic washer 6	ps804-1-22
23	placa prindere jgheab	snow chute fixed piece	ps804-1-23
24	surub m6x16	Cross recessed pan head screws M6X16	ps804-1-24
25	curele	V-belts	ps804-1-25
26	surub m8x20	Bolt M8*20	ps804-1-26
27	placa	Belt cover gasket	ps804-1-27



Nr.crt	Denumire produs	Product name	Cod comanda
1	corn dreapta	upper handle, right	ps804-2-01
2	panou de control	panel, motor control	ps804-2-02
3	piulita m8	nut M8	ps804-2-03
4	saiba 8x22x2	washer 8x22x2	ps804-2-04
5	placa	plate	ps804-2-05
6	surub m8x40	bolt M8x40	ps804-2-06
7	cablu	long wire	ps804-2-07
8	surub m8x35	bolt M8x35	ps804-2-08

Producător motoutilaje

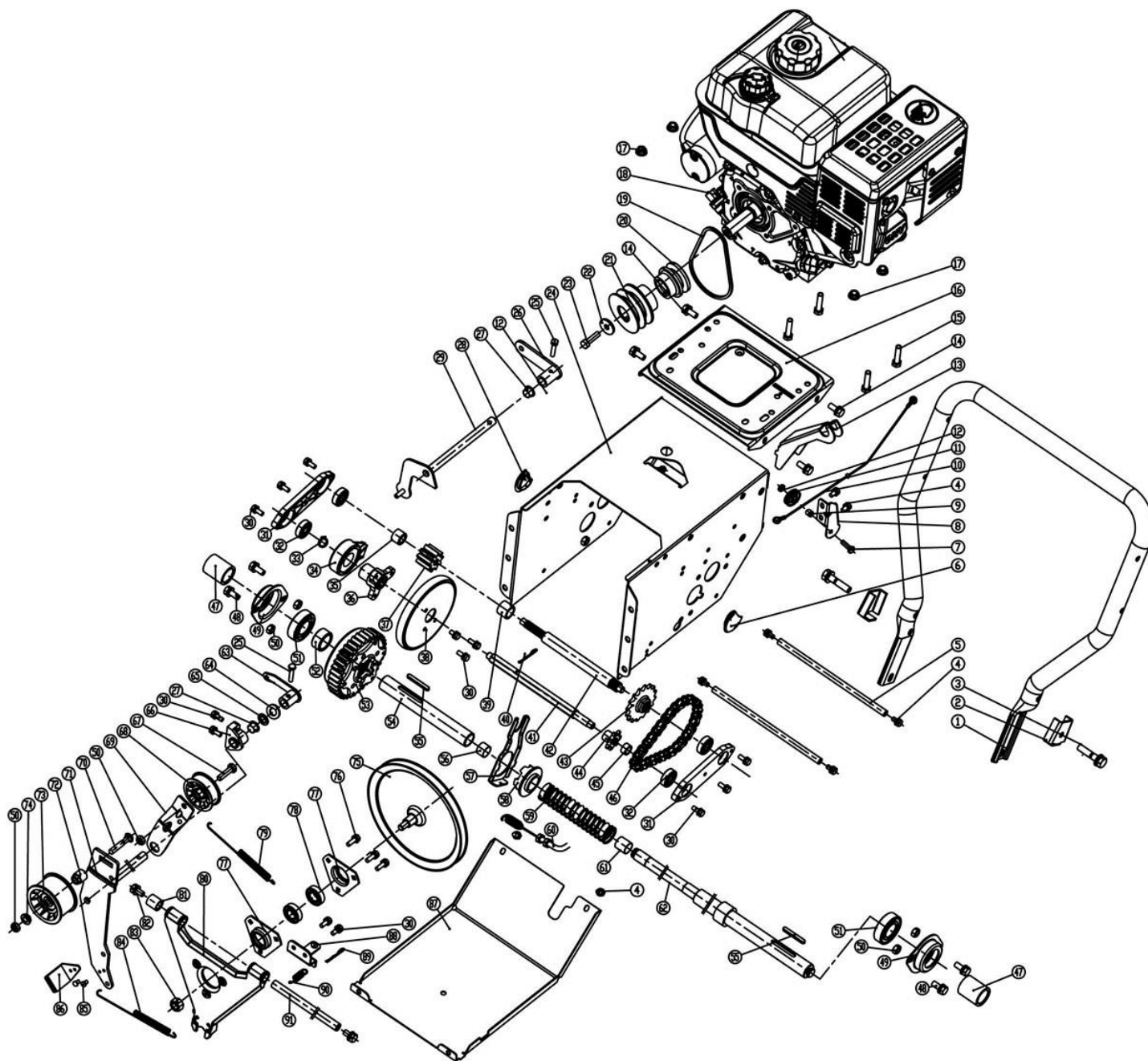
Documentatie tehnică

9	siguranta 1.5x25	B pin 1.5x25	ps804-2-09
10	maneta schimbator	shift lever	ps804-2-10
11	piulita m10	nut M10	ps804-2-11
12	maner mateta schimbator	gear handle	ps804-2-12
13	maneta control jgheab	chute cap handle	ps804-2-13
14	saiba de cauciuc	rubber washer	ps804-2-14
15	arc maneta	handle srping	ps804-2-15
16	maneta dreapta	right handle	ps804-2-16
17	saiba 8	big washer 8	ps804-2-17
18	surub m8x150	screw M8x150	ps804-2-18
19	blocator	stopper	ps804-2-19
20	siguranta	pinchock	ps804-2-20
21	cama dreapta	right cam	ps804-2-21
22	cama stanga	left cam	ps804-2-22
23	arc	stop spring	ps804-2-23
24	surub m8x60	screw M8x60	ps804-2-24
25	nut 4x10	rivet 4x10	ps804-2-25
26	maner incalzit	heated handle	ps804-2-26
27	maneta stanga	left handle	ps804-2-27
28	manson	short sleeve	ps804-2-28
29	cablaj	input wire	ps804-2-29
30	intrerupator	switch	ps804-2-30
31	cablu	long wire	ps804-2-31
32	arc	preset spring	ps804-2-32
33	surub m5x35	screw M5x35	ps804-2-33
34	maneta diferencial	differntial lever	ps804-2-34
35	piulita m6	nut M6	ps804-2-35
36	saiba 6	flat washer 6	ps804-2-36
37	surub	handle bolt	ps804-2-37
38	suport maneta diferencial	differntial lever seat	ps804-2-38
39	cablu diferencial	differential wire	ps804-2-39
40	manivela	rotate assembly	ps804-2-40
41	corn stanga	upper handle, left	ps804-2-41
42	cablu flexibil	soft shaft assembly	ps804-2-42
43	surub m6x10	screw M6x10	ps804-2-43
44	saiba 6	flat washer 6	ps804-2-44
45	suport far	support led	ps804-2-45
46	surub m6x16	bolt M6x16	ps804-2-46
47	capac	cover	ps804-2-47
48	piulita m6	jam nut M6	ps804-2-48

Producător motoutilaje

Documentatie tehnică

49	far	long LED	ps804-2-49
50	surub st3.5x16-f	bolt ST3.5x16-F	ps804-2-50



Nr.crt	Denumire produs	Product name	Cod comanda
1	suport coarne	handlebar	ps804-3-01
2	saiba suport	handlebar washer	ps804-3-02

Producător motoutilaje

Documentatie tehnică

3	surub m10x45	Bolt M10x45	ps804-3-03
4	surub m6x12	Bolt M6x12	ps804-3-04
5	bara	strut	ps804-3-05
6	capac 2	cover 2	ps804-3-06
7	surub m6x20	bolt M6x20	ps804-3-07
8	scaun fulie	pulley seat	ps804-3-08
9	manson ax	small shaft sleeve	ps804-3-09
10	cablu scurt	short wire	ps804-3-10
11	fulie	pulley	ps804-3-11
12	piulita m6	jam nut M6	ps804-3-12
13	placa	connecting plate	ps804-3-13
14	surub m8x20	bolt M8X20	ps804-3-14
15	surub m8x40	bolt M8X40	ps804-3-15
16	suport motor	engine seat	ps804-3-16
17	piulita m8	jam nut M8	ps804-3-17
18	motor	engine	ps804-3-18
19	curea	belt	ps804-3-19
20	fulie	drive wheel	ps804-3-20
21	fulie	belt pulley	ps804-3-21
22	saiba 8	super washer 8	ps804-3-22
23	surub m8x1x30	bolt M8X1X30	ps804-3-23
24	carcasa transmisie	transmission box	ps804-3-24
25	surub m6x20	bolt M6X20	ps804-3-25
26	conector schimbator	shift connector	ps804-3-26
27	manson	plastic sleeve	ps804-3-27
28	capac 3	cover 3	ps804-3-28
29	ax furca	shift fork	ps804-3-29
30	surub m6x16	bolt M6X16	ps804-3-30
31	carcasa rulment	bearing seat	ps804-3-31
32	rulment 6200	ball bearing 6200	ps804-3-32
33	zegher 25	circlip 25	ps804-3-33
34	rulment	shift bearing	ps804-3-34
35	manson 15x20x15	sleeve15x20x15	ps804-3-35
36	suport roata transmisie	transmission wheel seat	ps804-3-36
37	pinion	small gear	ps804-3-37
38	ansamblu roata transmisie	transmission wheel assembly	ps804-3-38
39	manson 18x23x18	sleeve 18x23x18	ps804-3-39
40	zegher	circlip	ps804-3-40
41	ax hexagonal	hexagon shaft	ps804-3-41
42	ax tranzit	transit shaft	ps804-3-42
43	pinion	chain wheel	ps804-3-43

Producător motoutilaje

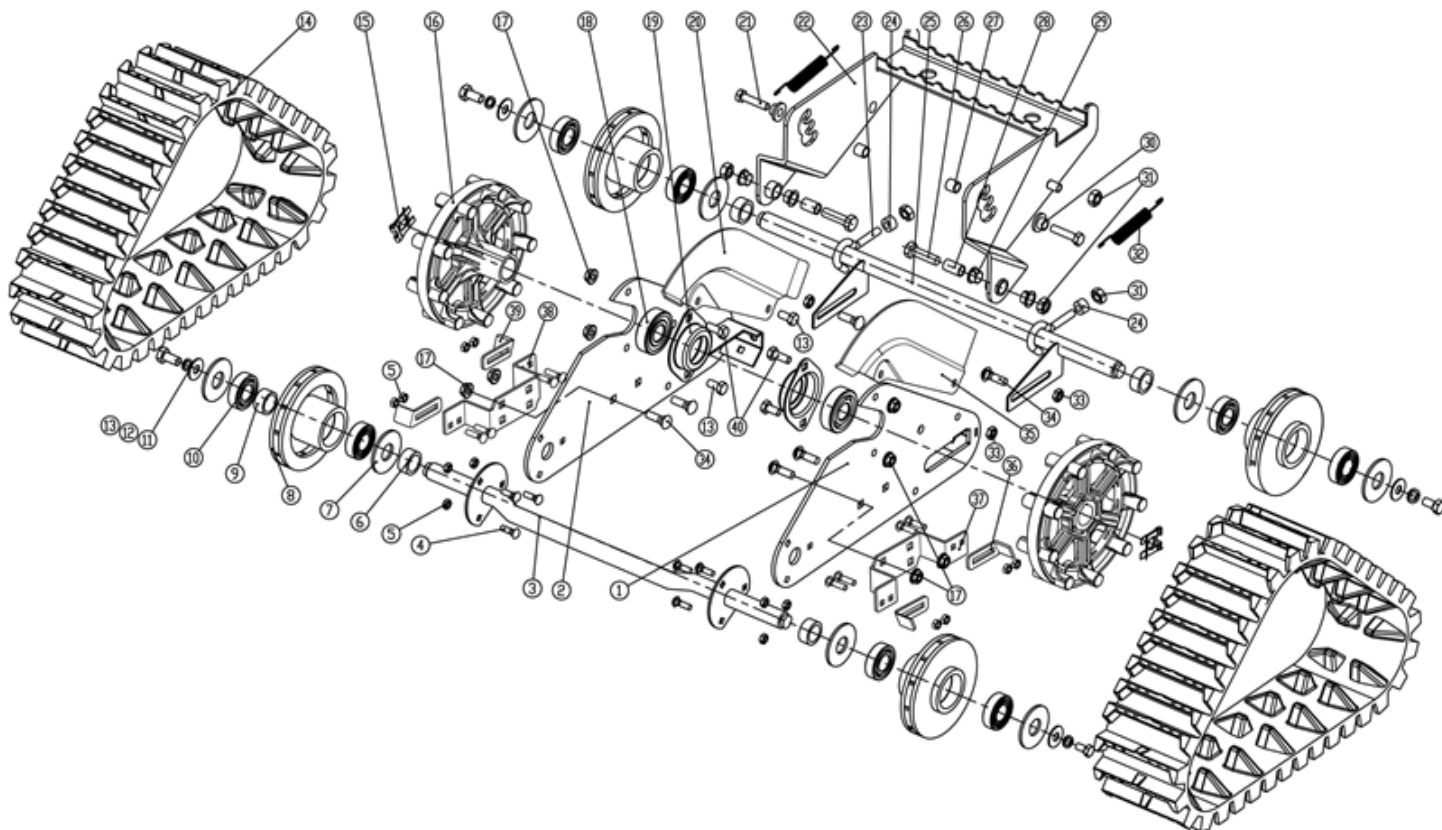
Documentatie tehnică

44	pinion	small chain wheel	ps804-3-44
45	manson 12x15x8	shaft sleeve 12x15x8	ps804-3-45
46	lant 085-26	chain 085-26	ps804-3-46
47	manson ax	shaft sleeve	ps804-3-47
48	surub m6x16	bolt M6x16	ps804-3-48
49	carcasa rulment	bearing seat	ps804-3-49
50	piulita m8	lock nut M8	ps804-3-50
51	rulment 6205	ball bearing 6205	ps804-3-51
52	manson 25x34x16	shaft sleeve 25x34x16	ps804-3-52
53	diferential	differential	ps804-3-53
54	ax scurt	short semi-shaft	ps804-3-54
55	pana 6x4x45	flat key 6x4x45	ps804-3-55
56	bucsa bronz 1	bronze sleeve 1	ps804-3-56
57	placa furca	fork plate	ps804-3-57
58	cuplaj diferential	semi differential part	ps804-3-58
59	arc	big spring	ps804-3-59
60	cablu diferential	differential cable	ps804-3-60
61	bucas bronz 2	bronze sleeve 2	ps804-3-61
62	ax lung	long shaft	ps804-3-62
63	conector de tensionare	tension connector	ps804-3-63
64	saiba 12	flat washer 12	ps804-3-64
65	saiba 12	washer 12	ps804-3-65
66	fixator	fixing block	ps804-3-66
67	surub m8x30	bolt M8x30	ps804-3-67
68	rola intinzator	small tension pulley	ps804-3-68
69	placa rola intinzator	small tension plate	ps804-3-69
70	surub m8x45	bolt M8X45	ps804-3-70
71	placa rola intinzator	big tension combination	ps804-3-71
72	bucsa	bush	ps804-3-72
73	rola intinzator	big tension pulley	ps804-3-73
74	saiba	washer	ps804-3-74
75	disc frictiune	friction disc	ps804-3-75
76	surub m6x20	bolt M6x20	ps804-3-76
77	carcasa rulment	bearing seat	ps804-3-77
78	rulment 6002	ball bearing 6002	ps804-3-78
79	arc	spring	ps804-3-79
80	suport disc frictiuna	support for friction disc	ps804-3-80
81	manson 13x20x20	sleeve 13x20x20	ps804-3-81
82	surub m8x16	bolt M8X16	ps804-3-82
83	piulita m12	jam nut M12	ps804-3-83
84	arc	brake spring	ps804-3-84

Producător motoutilaje

Documentatie tehnică

85	nit 4x12	rivet 4x12	ps804-3-85
86	placa blocare	brake block	ps804-3-86
87	capac transmisie	bottom plate for transmission box	ps804-3-87
88	placa	position part	ps804-3-88
89	siguranta 1.5x25	B Pin;ϕ1.5X25	ps804-3-89
90	arc	reset spring	ps804-3-90
91	bara	strut	ps804-3-91

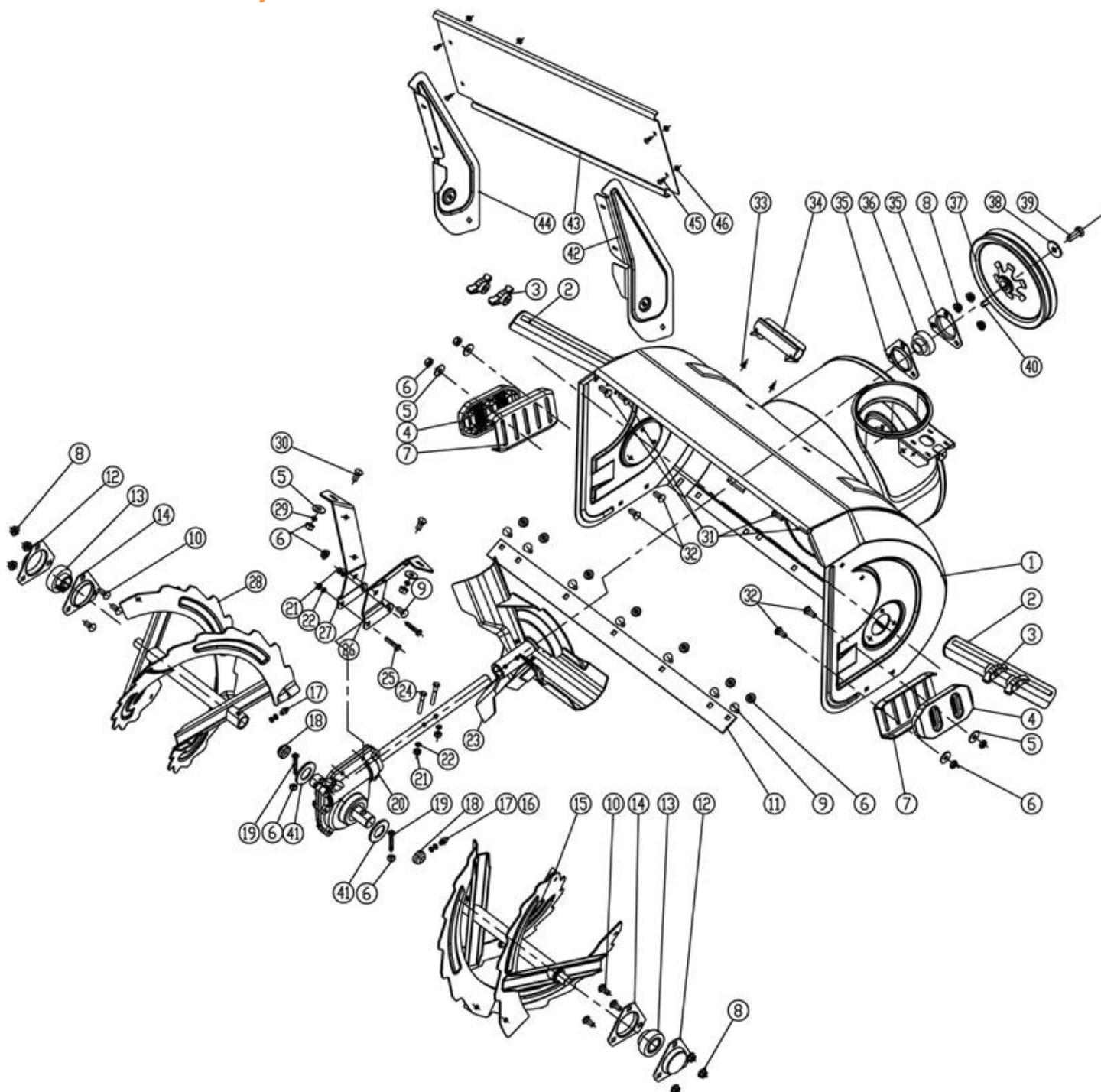


Nr.crt	Denumire produs	Product name	Cod comanda
1	placa de sprijin stanga	pedrail bracket,left	ps804-4-01
2	placa de sprijin dreapta	pedrail bracket,right	ps804-4-02
3	punte fata	front pedrail shaft	ps804-4-03
4	surub m6x16	bolt M6x16	ps804-4-04
5	piulita m6	jam nut M6	ps804-4-05
6	bucsa	shaft bushing	ps804-4-06
7	saiba	big washer	ps804-4-07
8	fulie	Idler pulley	ps804-4-08
9	bucsa	bushing	ps804-4-09

Producător motoutilaje

Documentatie tehnică

10	rulment 6004-2rs	ball bearing 6004-2RS	ps804-4-10
11	saiba 8	washer 8	ps804-4-11
12	saiba grower 8	spring washer 8	ps804-4-12
13	surub m8x16	bolt M8x16	ps804-4-13
14	senila	pedrail	ps804-4-14
15	siguranta	clip	ps804-4-15
16	fulie	pedrail pulley	ps804-4-16
17	piulita m8	jam nut M8	ps804-4-17
18	rulment 6205-2rs	ball bearing 6205-2RS	ps804-4-18
19	carcasa rulment	rhombus bearing seat	ps804-4-19
20	aparatoare stanga pentru senila	left plate for rubber track	ps804-4-20
21	surub m10x45	bolt M10x45	ps804-4-21
22	ansamblu pedala	pedal assemble	ps804-4-22
23	carlig	hook	ps804-4-23
24	saiba	hook washer	ps804-4-24
25	punte spate	rear axle for pedrail	ps804-4-25
26	surub m10x70	bolt M10x70	ps804-4-26
27	bucsa	bushing	ps804-4-27
28	bucsa	bushing,middle	ps804-4-28
29	bucsa plastic	plastic bushing	ps804-4-29
30	tampon	pad	ps804-4-30
31	piulita m10	jam nut M10	ps804-4-31
32	arc	reset spring	ps804-4-32
33	piulita m8	nut M8	ps804-4-33
34	surub m8x18	bolt M8x18	ps804-4-34
35	aparatoare dreapta pentru senila	right plate for rubber track	ps804-4-35
36	limitator dreapta	right scrapper	ps804-4-36
37	suport limitator	scraper seat	ps804-4-37
38	suport limitator2	scraper seat 2	ps804-4-38
39	limitator stanga	left scrapper	ps804-4-39
40	surub m8x20	bolt M8x20	ps804-4-40



Nr.crt	Denumire produs	Product name	Cod comanda
1	cuva	housing	ps804-5-01
2	suport cuva	support for housing	ps804-5-02
3	piulita	plastic nut	ps804-5-03

Producător motoutilaje

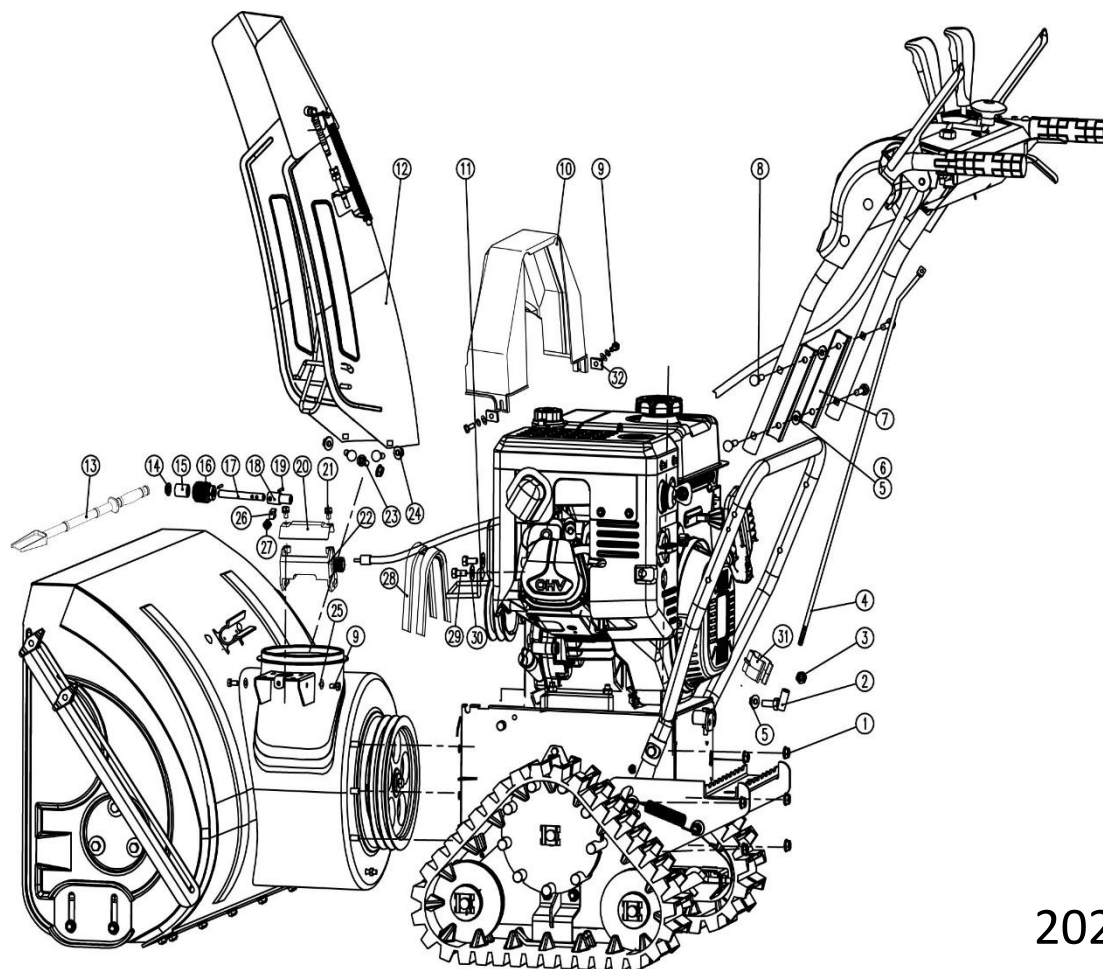
Documentatie tehnică

4	patina	skid shoe	ps804-5-04
5	saiba 8	big washer 8	ps804-5-05
6	piulita m8	jam nut M8	ps804-5-06
7	patina	skid shoe	ps804-5-07
8	piulita m8	jam nut M8	ps804-5-08
9	surub m8x18	bolt M8x18	ps804-5-09
10	surub m8x16	bolt M8x16	ps804-5-10
11	lama	shave plate,long	ps804-5-11
12	carcasa rulment	bearing cover	ps804-5-12
13	rulment sb205	bearing SB205	ps804-5-13
14	carcasa rulment	bearing seat	ps804-5-14
15	freza dreapta	auger,right	ps804-5-15
16	saiba 8	flat washer 8	ps804-5-16
17	surub drenaj ulei m8x1	oil cup M8x1	ps804-5-17
18	gresor	grease cap	ps804-5-18
19	surub	bolt	ps804-5-19
20	reductor	worm housing	ps804-5-20
21	piulita m6	jam nut M6	ps804-5-21
22	saiba grower 6	spring washer 6	ps804-5-22
23	turbina	fan	ps804-5-23
24	surub m6x40	bolt M6x40	ps804-5-24
25	surub m5x30	bolt M6x30	ps804-5-25
26	suport dreapta	support right	ps804-5-26
27	suport stanga	support left	ps804-5-27
28	freza stanga	auger, left	ps804-5-28
29	saiba greower 8	spring washer 8	ps804-5-29
30	surun m8x20	bolt M8x20	ps804-5-30
31	surub m8x20	bolt M8x20	ps804-5-31
32	surub m8x25	bolt M8x25	ps804-5-32
33	surub st4.2x9.5-f	screw ST4.2x9.5-F	ps804-5-33
34	suport lopatica	shovel support	ps804-5-34
35	carcasa rulment	bearing seat	ps804-5-35
36	rulment	bearing	ps804-5-36
37	fulie	big wheel pulley	ps804-5-37
38	saiba 10	super washer 10	ps804-5-38
39	surub m10x25	bolt M10x25	ps804-5-39
40	pana 6x20	flat key A 6x20	ps804-5-40
41	saiba	plastic washer	ps804-5-41
42	suport dreapta prindere panou	higher panel support, right (optional)	ps804-5-42
43	panou superior	higher panel(optional)	ps804-5-43
44	suport stanga prindere panou	higher panel support, left (optional)	ps804-5-44

Producător motoutilaje

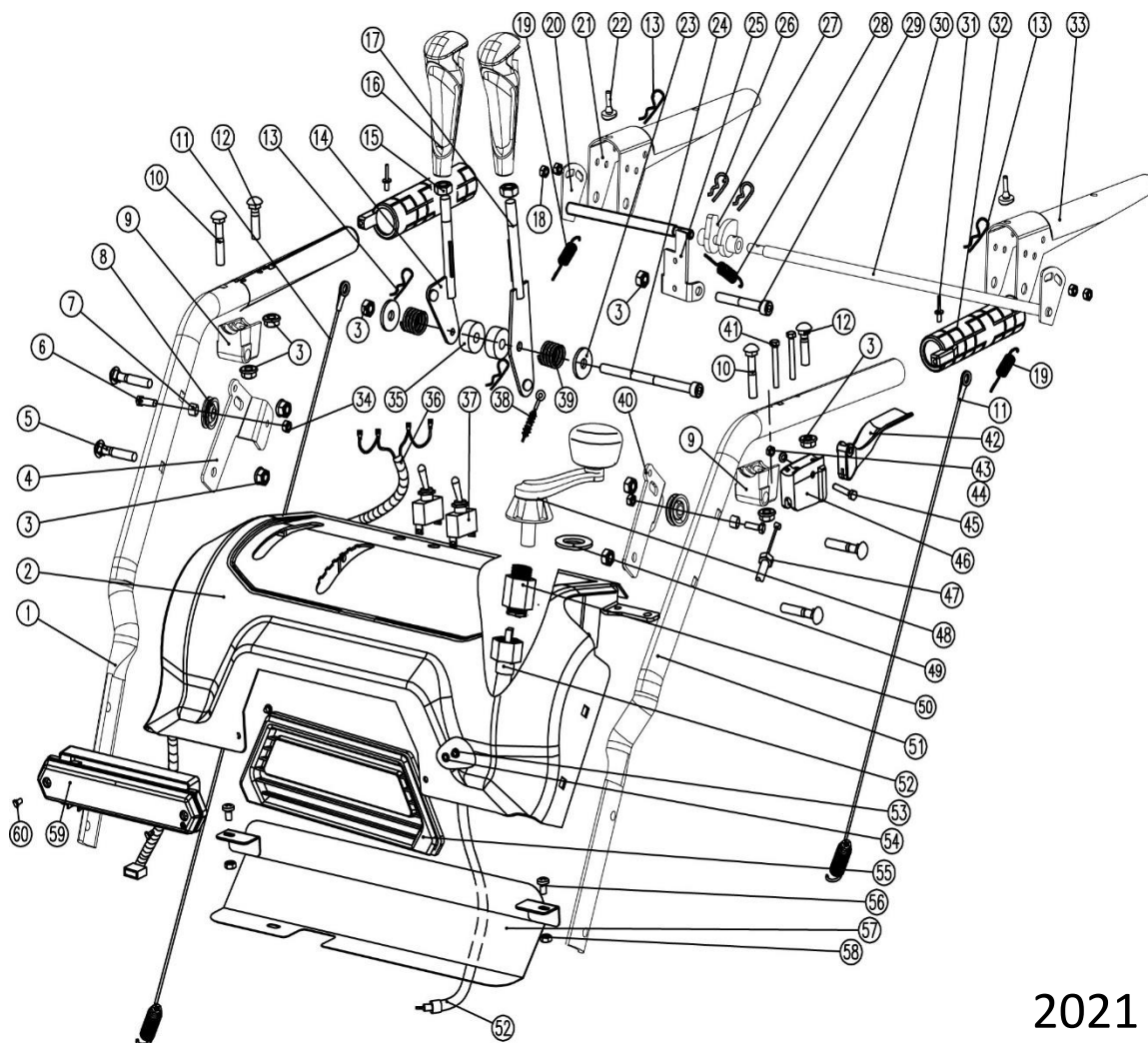
Documentatie tehnică

45	surub m8x16	bolt M8x16 (optional)	ps804-5-45
46	piulita m8	jam nut M8 (optional)	ps804-5-46



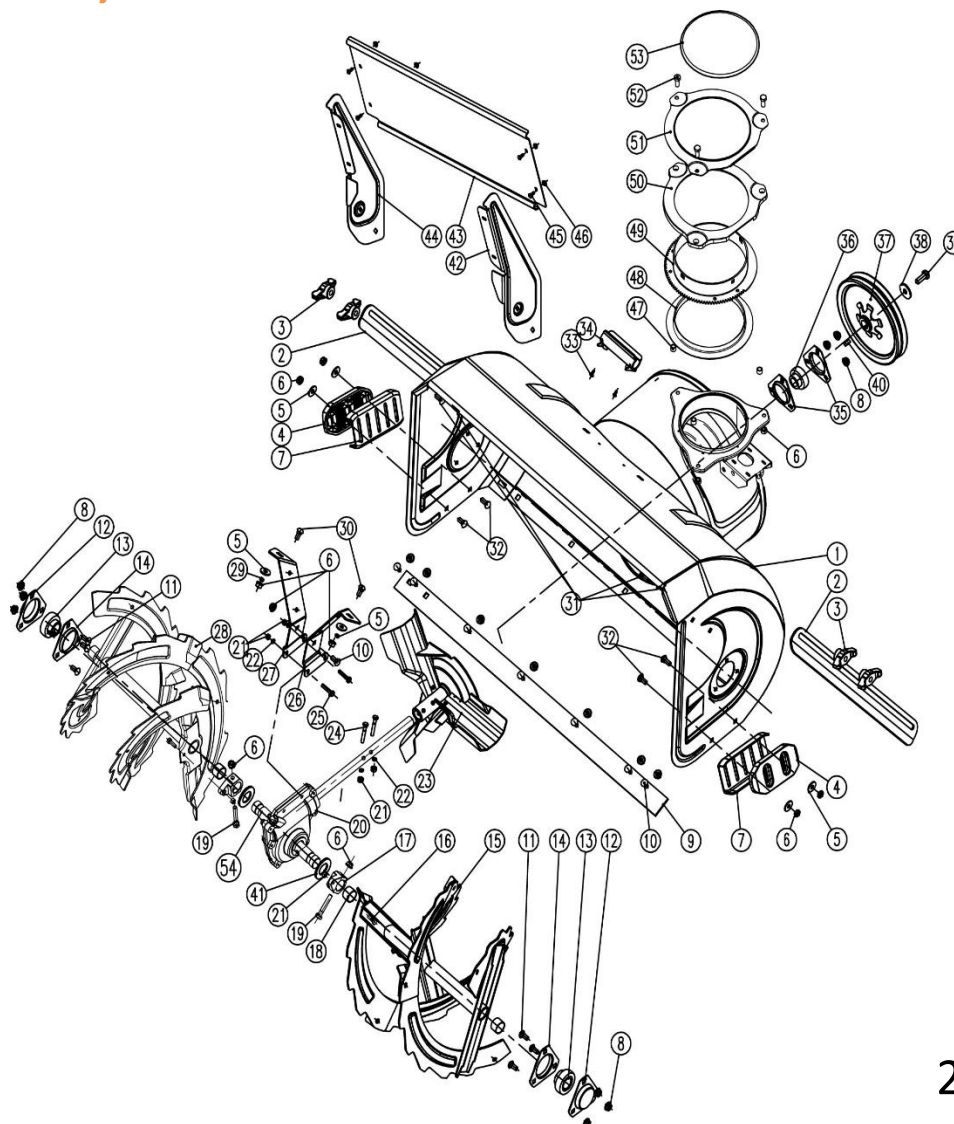
2021

Nr.crt	Denumire produs	Product name	Cod comanda
25	saiba C6	washer C6	ps804.2021-6-25
26	tampon	friction pad	ps804.2021-6-26
27	arc	friction spring	ps804.2021-6-27
29	surub M8x20	bolt M8x20	ps804.2021-6-29
30	saiba C8	washer C8	ps804.2021-6-30
31	suport cablu	cabre holder	ps804.2021-6-31



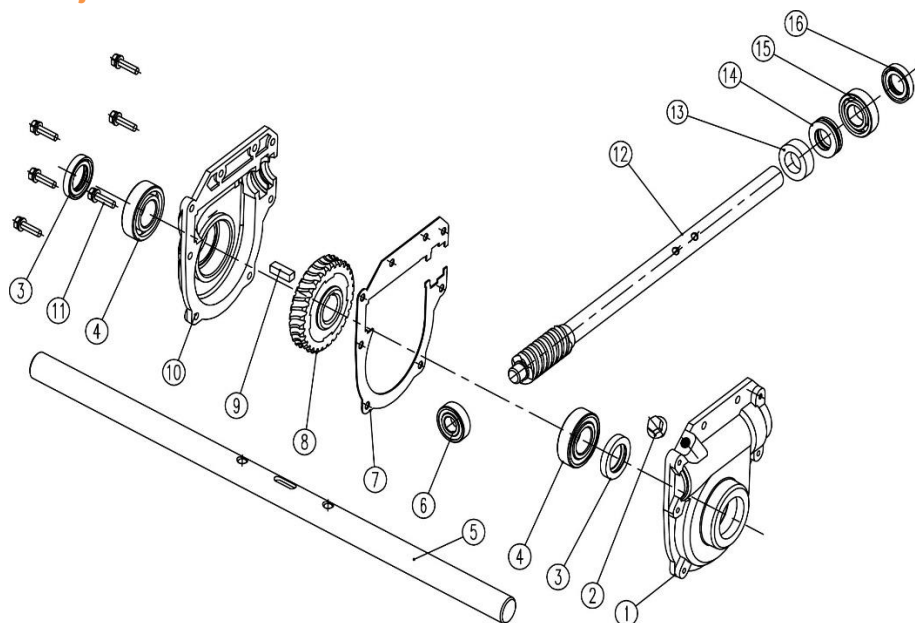
2021

Nr.crt	Denumire produs	Product name	Cod comanda
27	cama	cam	ps804.2021-7-27
30	tija	long rod	ps804.2021-7-30
52	cablu flexibil	flexible shaft	ps804.2021-7-52



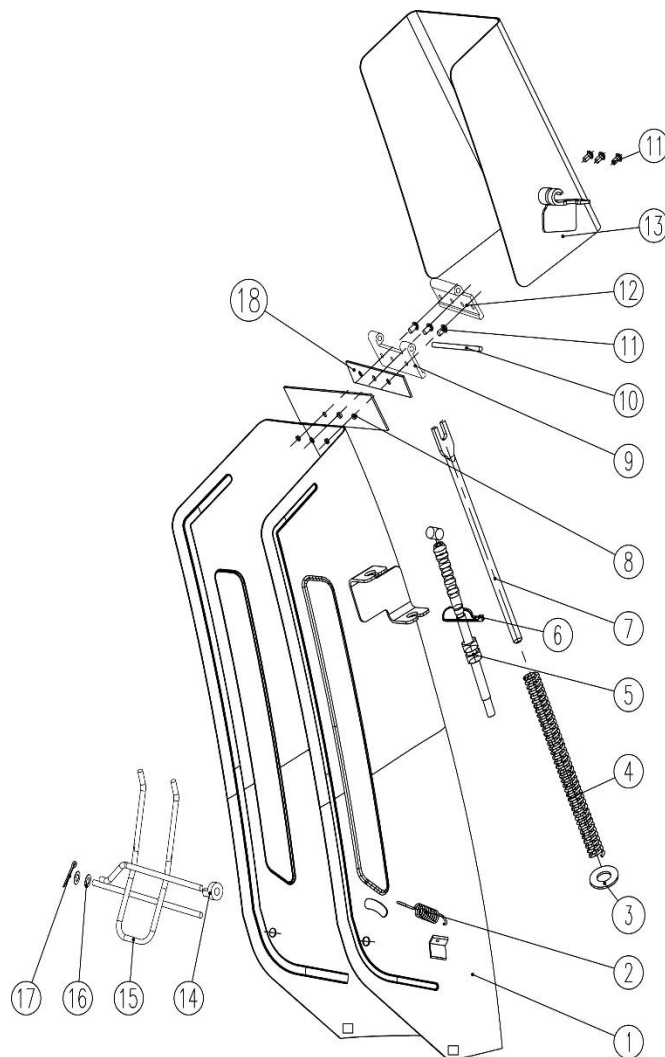
2021

Nr.crt	Denumire produs	Product name	Cod comanda
15	freza dreapta	right auger	ps804.2021-8-15
16	surub M6x20	bolt M6x20	ps804.2021-8-16
17	cuplaj	coupling	ps804.2021-8-17
18	manson	sleeve	ps804.2021-8-18
28	freza stanga	left auger	ps804.2021-8-28
53	inel de cauciuc	rubber ring	ps804.2021-8-53
54	arbore iesire	output shaft	ps804.2021-8-54



2021

Nr.crt	Denumire produs	Product name	Cod comanda
5	arbore freza	auger shaft 30	ps804.2021-9-05
13	manson	sleeve	ps804.2021-9-13



2021

Nr.crt	Denumire produs	Product name	Cod comanda
3	saiba C8	washer C8	ps804.2021-10-03
5	cablu deflector	deflector cable	ps804.2021-10-05
8	placa etansare	sealing pad	ps804.2021-10-08
9	balama inferioara	lower hinge	ps804.2021-10-09
10	ax balama	hinge axle	ps804.2021-10-10
12	balama superioara	upper hinge	ps804.2021-10-12
18	placa etansare	sealing pat	ps804.2021-10-18