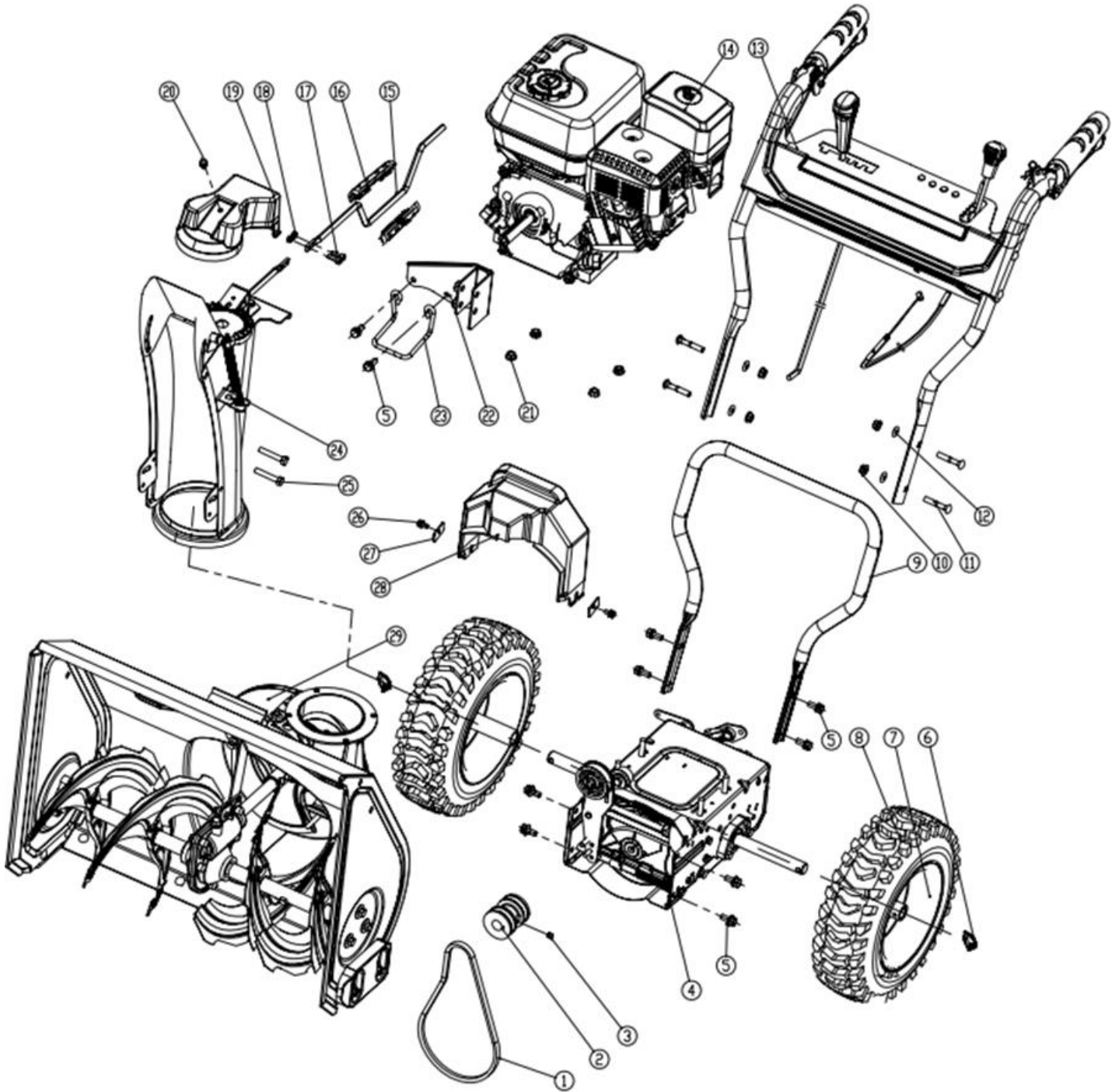


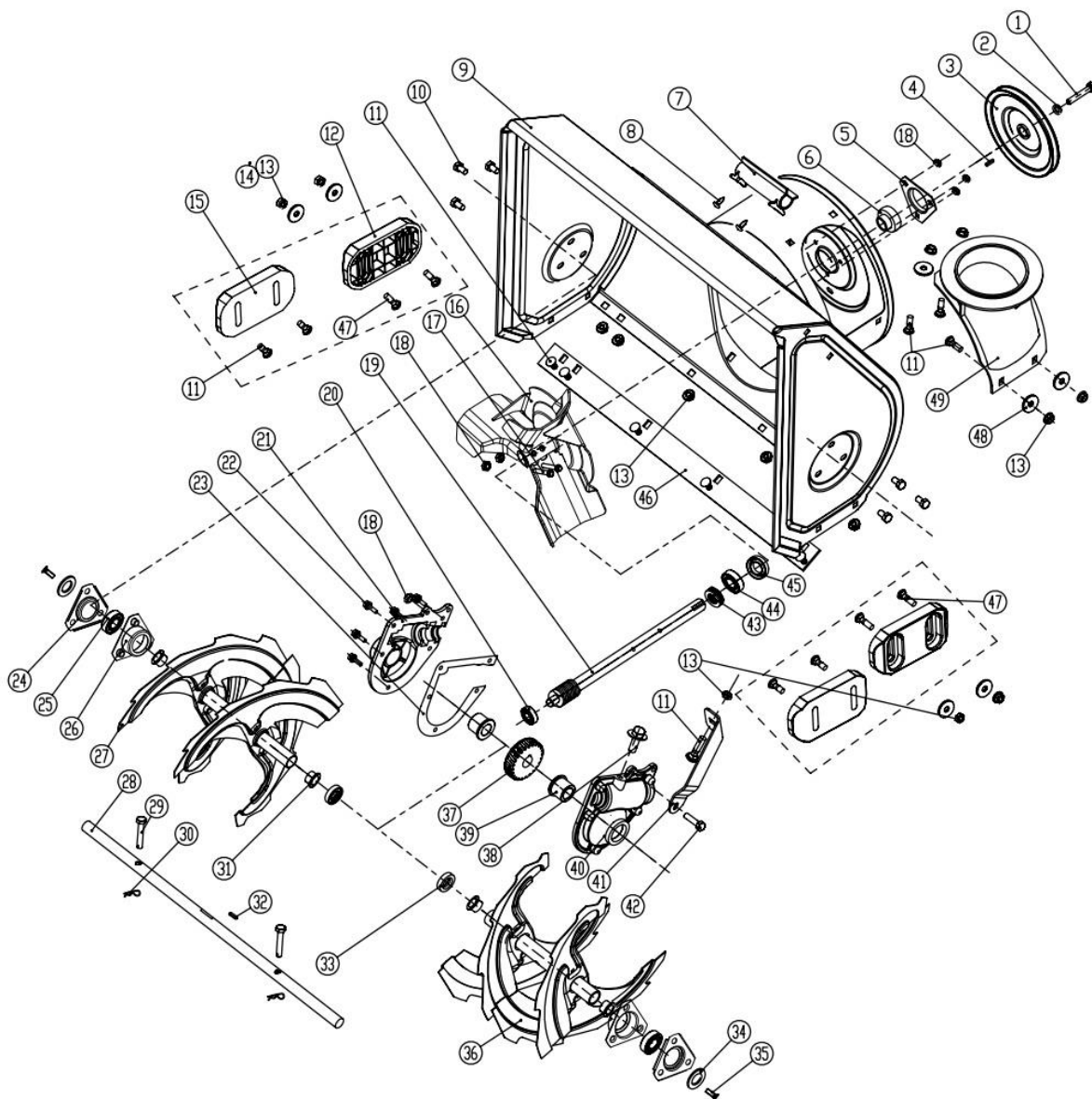
Documentatie tehnica freza de zapada Parang 604



Producător motoutilaje

Documentatie tehnică

Nr.crt	Denumire produs	Product name	Cod comanda
1	curea 10x675rls	belt,10*675RLS	ps604-1-01
2	fulie	belt pulley	ps604-1-02
3	surub blocare m8x8	locking screw M8*8	ps604-1-03
4	cutie de viteze ansamblata	transmission assembly	ps604-1-04
5	surub m8x20	hex.bolt M8*20	ps604-1-05
6	bolt 6x40	D pin 6x40	ps604-1-06
7	janta	wheel hub	ps604-1-07
8	anvelopa	tyre13*4-6	ps604-1-08
9	suport coarne	lower handle	ps604-1-09
10	piulita m8	hex. Lock nutM8	ps604-1-10
11	surub m8x40	carriage boltM8*40	ps604-1-11
12	saiba 8	curved washer8	ps604-1-12
13	ansamblu coarne	upper handle assembly	ps604-1-13
14	motor	engine	ps604-1-14
15	maneta control jgheab	chute direction control bar	ps604-1-15
16	maner	handle part	ps604-1-16
17	surub m6x16	screwM6*16	ps604-1-17
18	piulita m6	hex. Lock nutM6	ps604-1-18
19	protectie	protection cover	ps604-1-19
20	surub m6x12	hex. boltM6*12	ps604-1-20
21	piulita m8	hex. Flange lock nutM8	ps604-1-21
22	suport	sfixed seat part	ps604-1-22
23	parghie	belt lever	ps604-1-23
24	ansamblu jgheab	chute cap control assembly	ps604-1-24
25	surub m8x45	hex. Bolt M8*45	ps604-1-25
26	surub m6x16	hex. Bolt M6*16	ps604-1-26
27	placa	pressing plate	ps604-1-27
28	capac curea	belt cover	ps604-1-28



Nr.crt	Denumire produs	Product name	Cod comanda
1	surub m10x25	hex bolt M10x25	ps604-2-01
2	saiba 10	big washer 10	ps604-2-02
3	fulie	belt pulley	ps604-2-03
4	pana 6x6x14	flat keyB 6x6x14	ps604-2-04
5	carcasa rulment	bearing cover	ps604-2-05
6	rulment sb204	ball bearing SB204	ps604-2-06
7	suport lipatica	shovel bracket	ps604-2-07

Producător motoutilaje

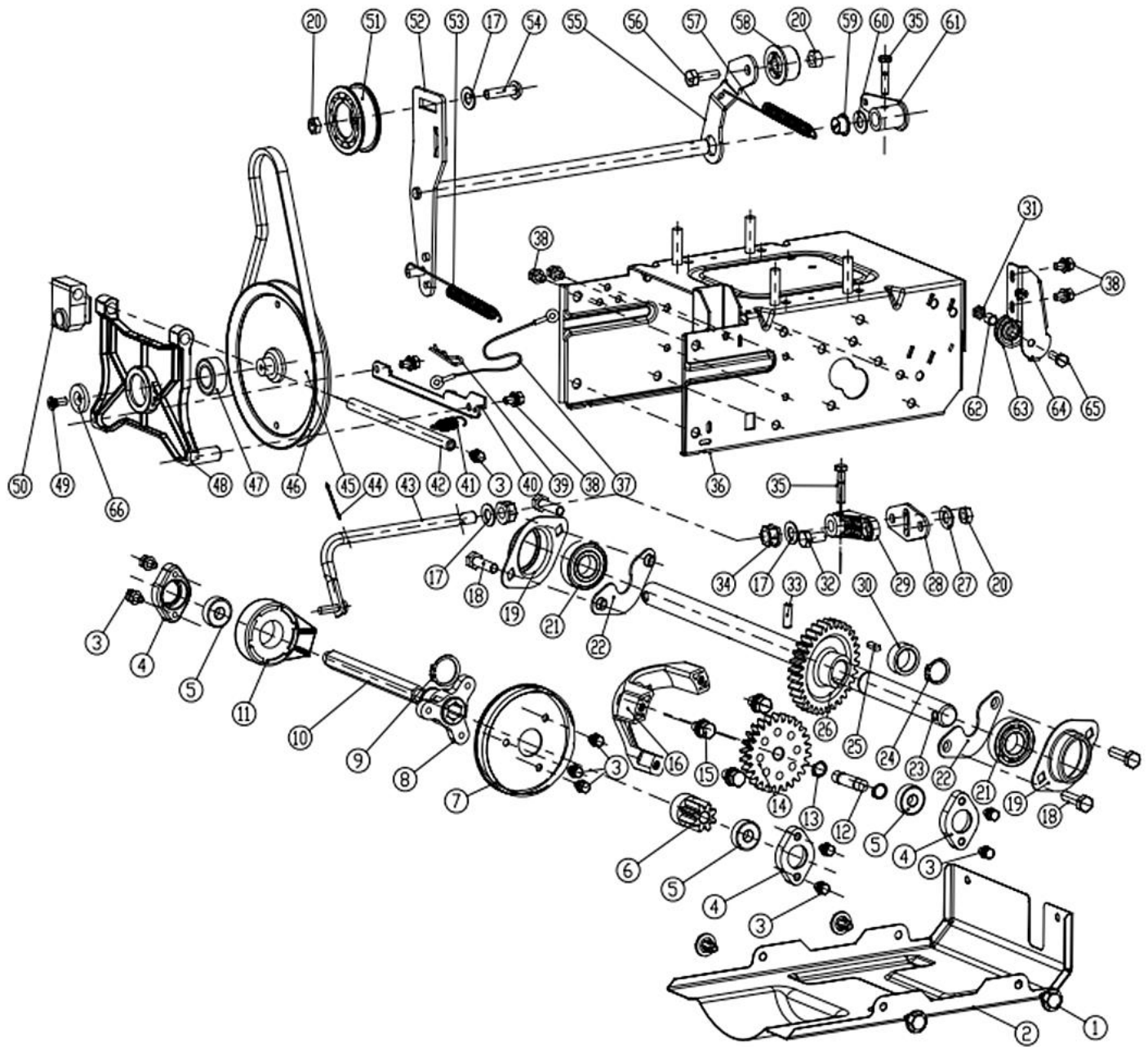
Documentatie tehnică

8	surub st 4.2x9.5-f	self tapping screw ST4.2x9.5-F	ps604-2-08
9	cuva	housing	ps604-2-09
10	surub m8x16	hex screw M8x16	ps604-2-10
11	surub m8x16	bolt M8x16	ps604-2-11
12	patina	skid shoe	ps604-2-12
13	piulita m8	hex. Locking nut M8	ps604-2-13
14	saiba 8	big washer 8	ps604-2-14
15	patina	skid shoe	ps604-2-15
16	turbina	fan	ps604-2-16
17	surub m6x35	hex. bolt M6x35	ps604-2-17
18	piulita m6	hex. Locking nutM6	ps604-2-18
19	ax melcat	worm shaft	ps604-2-19
20	rulment 6001	ball bearing 6001	ps604-2-20
21	semicarcter stanga	worm case left	ps604-2-21
22	surub m6x20	hex. boltM6*20	ps604-2-22
23	garnitura	paper washer	ps604-2-23
24	carcasa rulment	bearing inner seat	ps604-2-24
25	rulment 6203	ball bearing 6203	ps604-2-25
26	carcasa rulment	bearing seat	ps604-2-26
27	freza stanga	left auger	ps604-2-27
28	ax	output shaft	ps604-2-28
29	bolt	safety bolt	ps604-2-29
30	siguranta	B pin	ps604-2-30
31	manson ax	drive shaft sleeve	ps604-2-31
32	pana 6x18	round head flat key 6x18	ps604-2-32
33	simering fb19x30	seal ring FB19x30	ps604-2-33
34	saiba	washer	ps604-2-34
35	surub m6x16	screw M6x16	ps604-2-35
36	freza dreapta	right auger	ps604-2-36
37	roata melcata	worm	ps604-2-37
38	surub m10x15	hex. Flange boltM10*15	ps604-2-38
39	manson ax	output shaft sleeve \varnothing 19	ps604-2-39
40	semicarcter dreapta	worm case right	ps604-2-40
41	placa	support plate	ps604-2-41
42	surub m6x25	hex. boltM6*25	ps604-2-42
43	rulment 51104	single thrust bearing 51104	ps604-2-43
44	rulment 6004	ball bearing 6004	ps604-2-44
45	simering fb20x35x7	seal ring FB20x35x7	ps604-2-45
46	lama	scraper	ps604-2-46

Producător motoutilaje

Documentatie tehnică

47	surub m8x20	bolt M8x20	ps604-2-47
48	saiba	flat washer	ps604-2-48
49	scaun igheab	fixing seat for chute	ps604-2-49

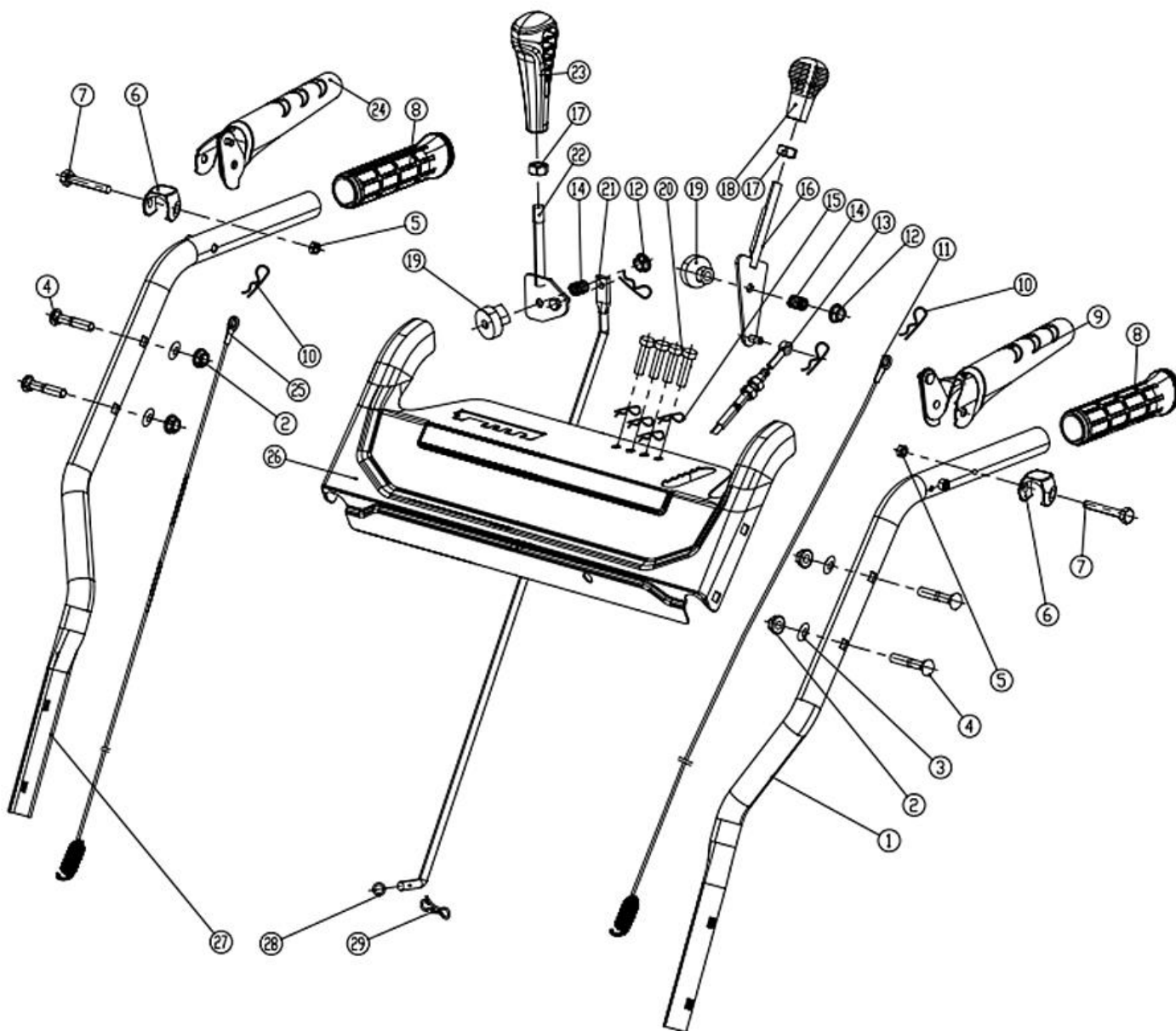


Nr.crt	Denumire produs	Product name	Cod comanda
1	clips	plastic cap �8	ps604-3-01
2	capac cutie de viteze	box plate	ps604-3-02
3	surub m6x16	bolt M6x16	ps604-3-03
4	carcasa rulment	inner bearing seat	ps604-3-04
5	rulment 6000	ball bearing 6000	ps604-3-05
6	pinion	gear	ps604-3-06
7	fulie	change pulley	ps604-3-07
8	scaun fulie	change pulley seat	ps604-3-08
9	zegher 25	shaft circlip 25	ps604-3-09
10	ax hexagonal	hexagon shaft	ps604-3-10
11	rulment	slide bearing	ps604-3-11
12	ax transmisie	transmission shaft	ps604-3-12
13	zegher 10	shaft circlip 10	ps604-3-13
14	roata transmisie	transmission gear	ps604-3-14
15	surub m8x20	bolt M8X20	ps604-3-15
16	suport roata transmisie	transimission gear seat	ps604-3-16
17	saiba 10	flat washer 10	ps604-3-17
18	surub m8x16	hex screw M8x16	ps604-3-18
19	carcasa rulment	bearing seat	ps604-3-19
20	piulita m8	hex jam nut M8	ps604-3-20
21	rulment 6004	ball bearing 6004	ps604-3-21
22	placa	splint nut	ps604-3-22
23	ax	driving shaft 13"	ps604-3-23
24	zegher 20	circlip 20	ps604-3-24
25	plana 6x6x22	flat key B6X6X22	ps604-3-25
26	roata dintata	drive gear	ps604-3-26
27	siaba 8	flat key 8	ps604-3-27
28	placa ghidaj	shift connecting plate	ps604-3-28
29	conector schimbator	shift connector	ps604-3-29
30	manson arbore	shaft sleeve	ps604-3-30
31	piulita m6	locking nut M6	ps604-3-31
32	surub m8x16	hex bolt M8x16	ps604-3-32
33	bolt 6x30	pin �6X30	ps604-3-33
34	bucsa	bush	ps604-3-34
35	surub m6x20	bolt M6x20	ps604-3-35
36	carcasa cutie viteze	transimission box	ps604-3-36
37	cablu	short wire	ps604-3-37
38	surub m6x12	bolt M6x12	ps604-3-38

Producător motoutilaje

Documentatie tehnică

39	siguranta	B pin $\text{C}1.5 \times 25$	ps604-3-39
40	fixator	fixing seat for disc support	ps604-3-40
41	arc	spring	ps604-3-41
42	ax	shaft	ps604-3-42
43	tija furca	fork rod	ps604-3-43
44	siguranta 1.6x25	open pin $\text{C}1.6 \times 25$	ps604-3-44
45	disc frictiune	friction disc	ps604-3-45
46	curea v10x675	belt V10x675	ps604-3-46
47	rulment 6002	ball bearing 6202	ps604-3-47
48	suport disc frictiune	bracket for friction disc	ps604-3-48
49	surub m8x14	hex screw M8x14	ps604-3-49
50	scaun fixare ax	fixing seat for shaft	ps604-3-50
51	rola intinzator	small tension pulley	ps604-3-51
52	placa intinzator	tension parts	ps604-3-52
53	arc	brake spring	ps604-3-53
54	surub m8x30	bolt M8x30	ps604-3-54
55	rola intinzator	small tension plate	ps604-3-55
56	surub m8x30	hex bolt M8x30	ps604-3-56
57	arc 3	spring 3	ps604-3-57
58	rola intinzator	tension pulley	ps604-3-58
59	manson	plastic sleeve	ps604-3-59
60	saiba plata 12	flat washer 12	ps604-3-60
61	conector intinzator	tension connector	ps604-3-61
62	manson arbore	small shaft sleeve	ps604-3-62
63	fulie	pulley wheel	ps604-3-63
64	scaun fulie	pulley seat	ps604-3-64
65	surub m6x20	hex bolt M6x20	ps604-3-65
66	saiba	washer	ps604-3-66

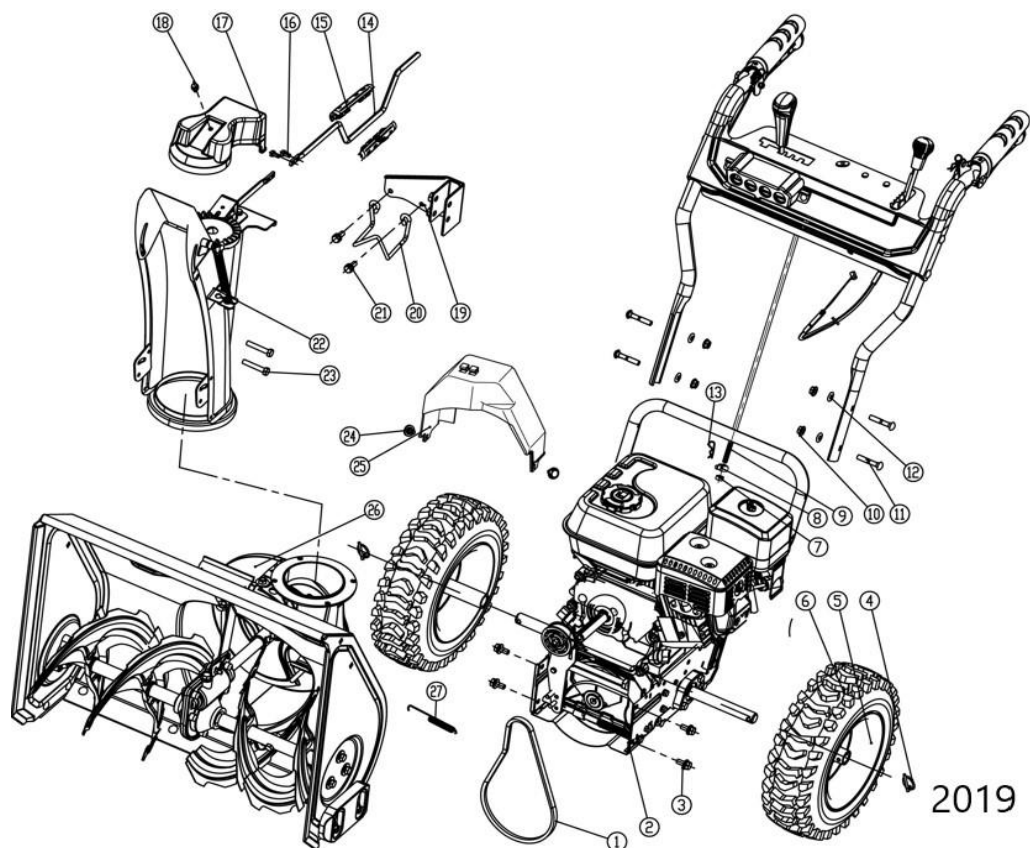


Nr.crt	Denumire produs	Product name	Cod comanda
1	corn stanga	upper handle, left	ps604-4-01
2	piulita m8	hex. Locking nut M8	ps604-4-02
3	saiba	curved washer	ps604-4-03
4	surub m8x40	carriage boltM8*40	ps604-4-04
5	piulita m6	hex. Flange lock nutM6	ps604-4-05
6	suport maneta	handle pad	ps604-4-06
7	surub	handle bolt	ps604-4-07

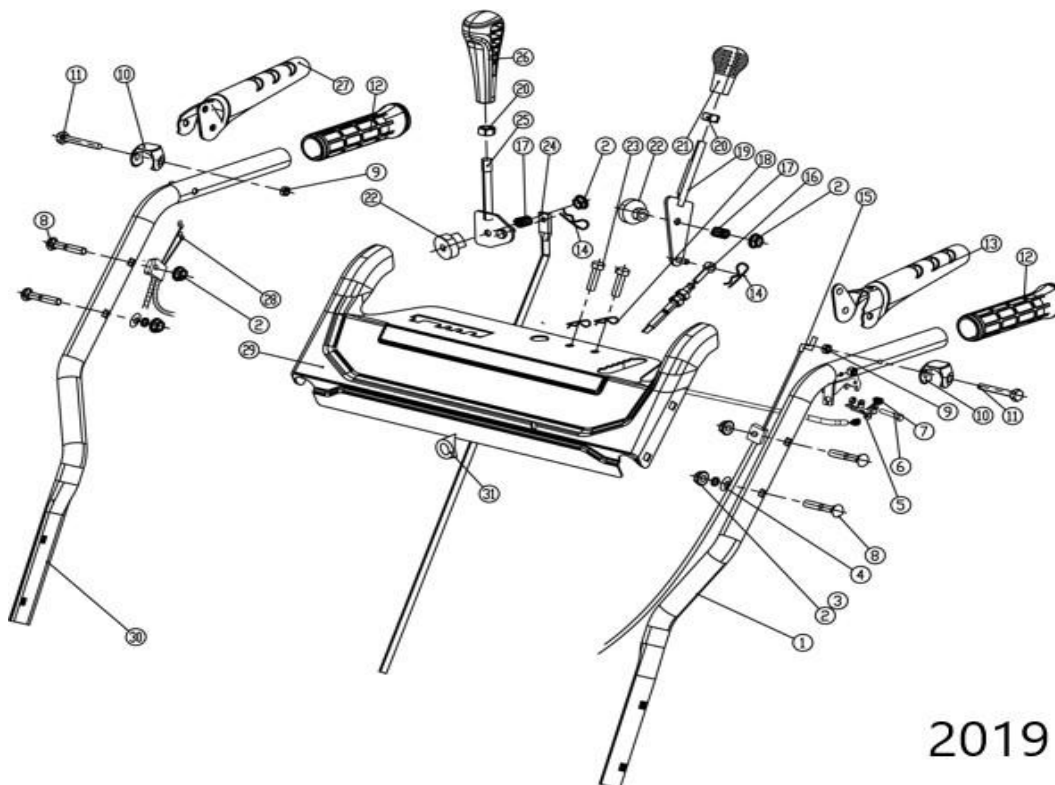
Producător motoutilaje

Documentatie tehnică

8	maner	handle cover	ps604-4-08
9	maneta de control dreapta	right control pad	ps604-4-09
10	siguranta	B pinC1.5*25	ps604-4-10
11	cablu	long wire	ps604-4-11
12	piulita m8	locking nut M8	ps604-4-12
13	cablu control jgheab	chute cap wire	ps604-4-13
14	arc pretensionare	pretension spring	ps604-4-14
15	siguranta	B pin	ps604-4-15
16	maneta control jgheab	chute cap control bar	ps604-4-16
17	piulita m10	nutM10	ps604-4-17
18	maner	chute cap height adjustment	ps604-4-18
19	bucsa	short bush	ps604-4-19
20	bolt	safety bolt	ps604-4-20
21	tija de legatura	gear connecting rod	ps604-4-21
22	maneta schimbator	gear handle bar	ps604-4-22
23	maner	gear handle	ps604-4-23
24	maneta control stanga	left control pad	ps604-4-24
25	cablu freze	auger wire	ps604-4-25
26	panou	panel	ps604-4-26
27	corn dreapta	upper handle, right	ps604-4-27
28	saiba 8	washer8	ps604-4-28
29	siguranta	B pin	ps604-4-29

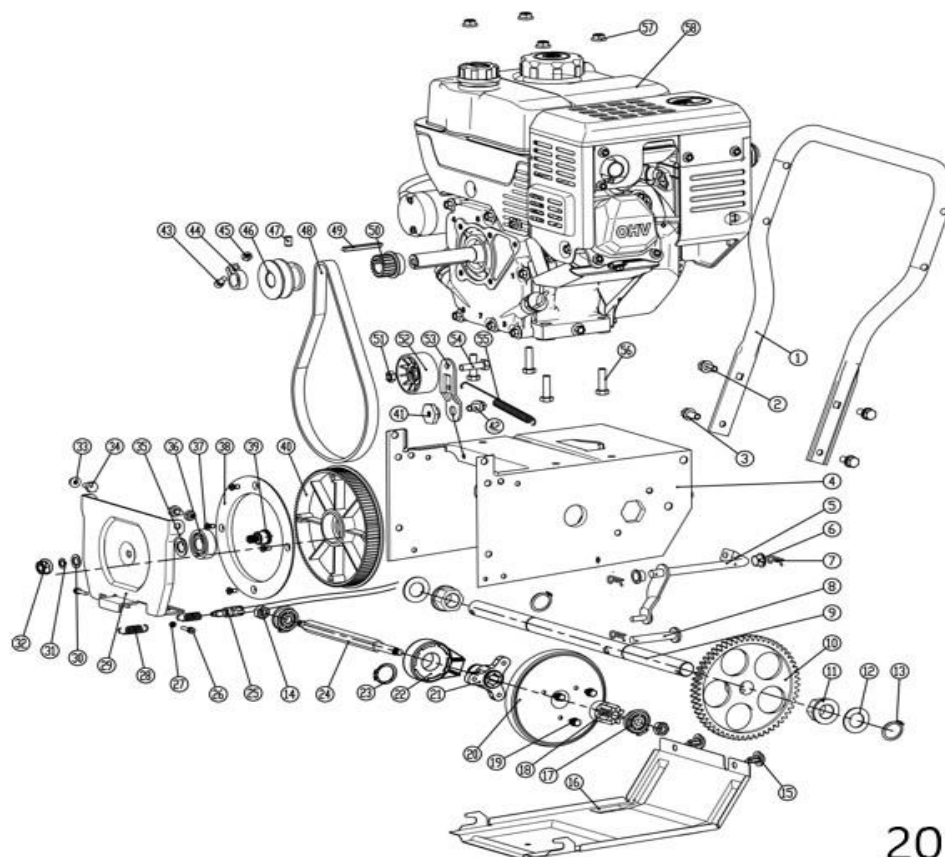


Nr.crt	Denumire produs	Product name	Cod comanda
1	curea	V belt	ps604.2019-5-1
24	clema 8	plastic clip 8	ps604.2019-5-24
27	arc	spring	ps604.2019-5-27



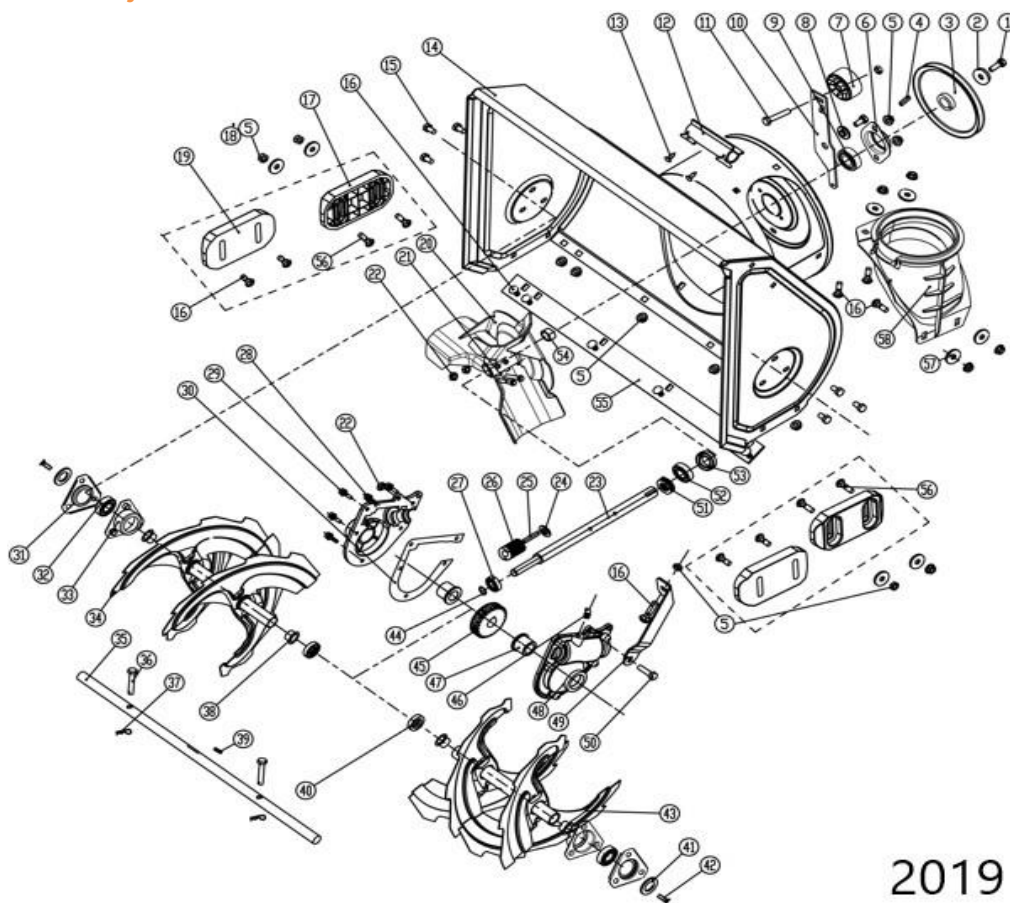
2019

Nr.crt	Denumire produs	Product name	Cod comanda
15	cablu ambreiaj	working cable	ps604.2019-6-15
28	cablu	auger wire	ps604.2019-6-28



2019

Nr.crt	Denumire produs	Product name	Cod comanda
20	disc frictiune	rubber pulley	ps604.2019-7-20
25	cablu	walking cable	ps604.2019-7-25
52	rola intinzator	small tension pulley	ps604.2019-7-52
55	arc intinzator	small tension spring	ps604.2019-7-55



2019

Nr.crt	Denumire produs	Product name	Cod comanda
7	rola intinzator	small tension pulley	ps604.2019-8-7