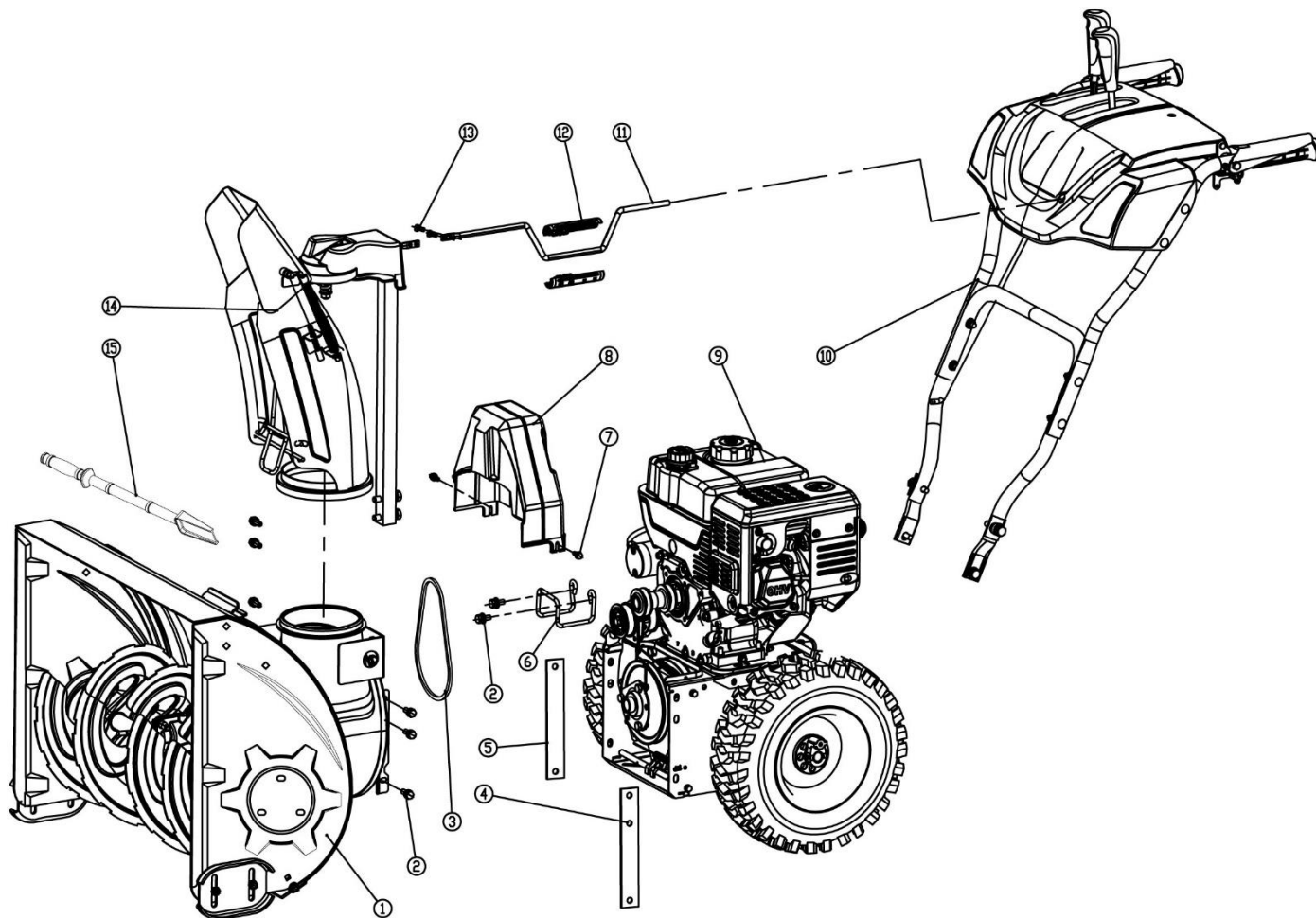


## Documentatie tehnica freza de zapada Parang 704

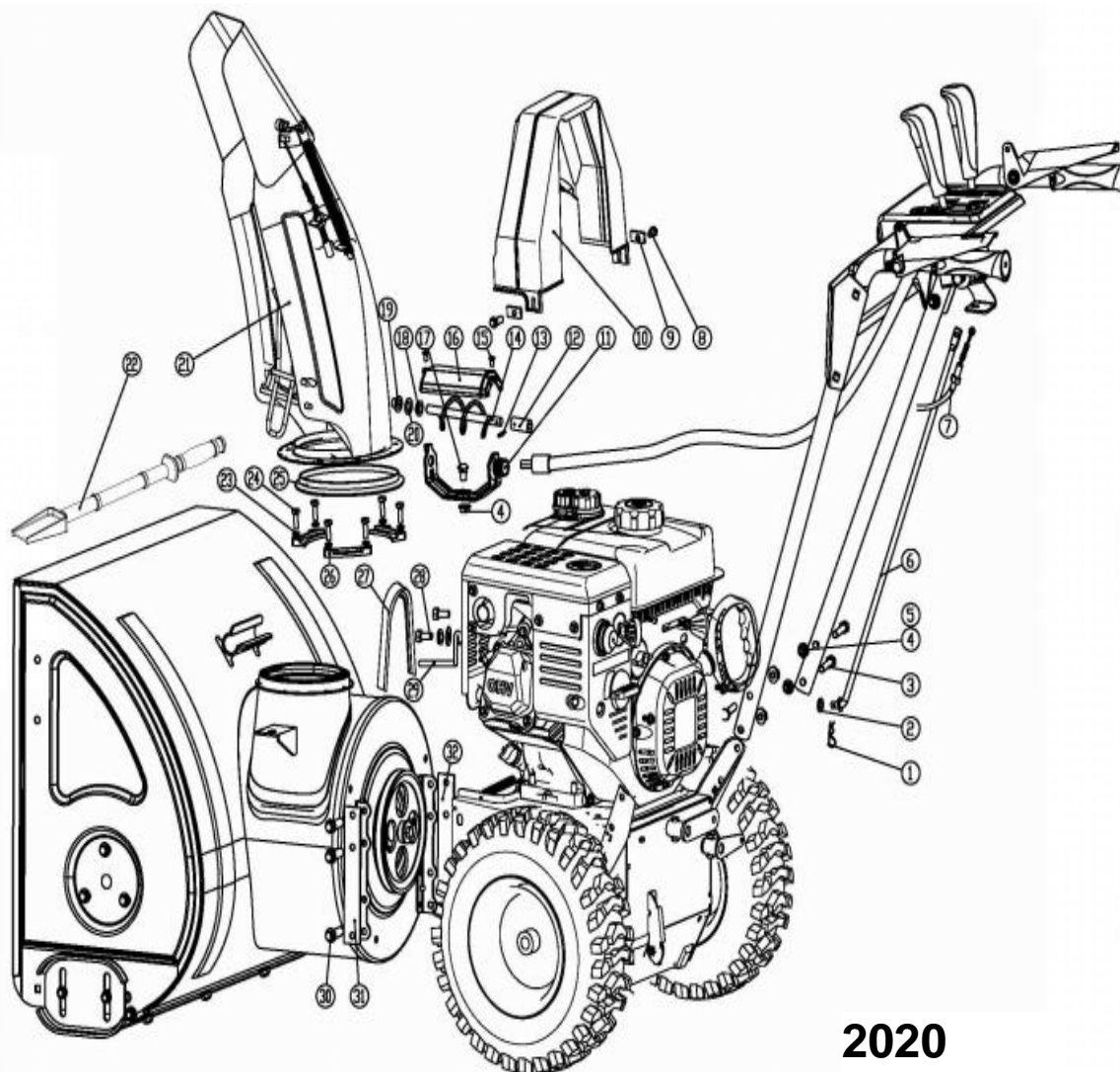


Nr.crt	Denumire produs	Product name	Cod comanda
2	surub m8x20	hex bolt M8x20	ps6900-1-02
3	curea	belt	ps6900-1-03
4	placa prindere stanga	box plate, left	ps6900-1-04
5	placa prindere dreapta	box plate, right	ps6900-1-05
6	parghie	belt lever	ps6900-1-06
7	surub m6x16	hex bolt M6x16	ps6900-1-07
8	capac curea	belt cover	ps6900-1-08
9	motor	engine	ps6900-1-09
10	ansamblu coarne	handle assembly	ps6900-1-10
11	maneta control jgheab	rotating shaft(long)	ps6900-1-11

## Producător motoutilaje

## Documentatie tehnică

12	maner	plastic grip	ps6900-1-12
13	surub m6x12	hex bolt M6x12	ps6900-1-13
14	ansamblu jgheab	chute rotating assembly	ps6900-1-14
15	lopatica	snow removal tool	ps6900-1-15

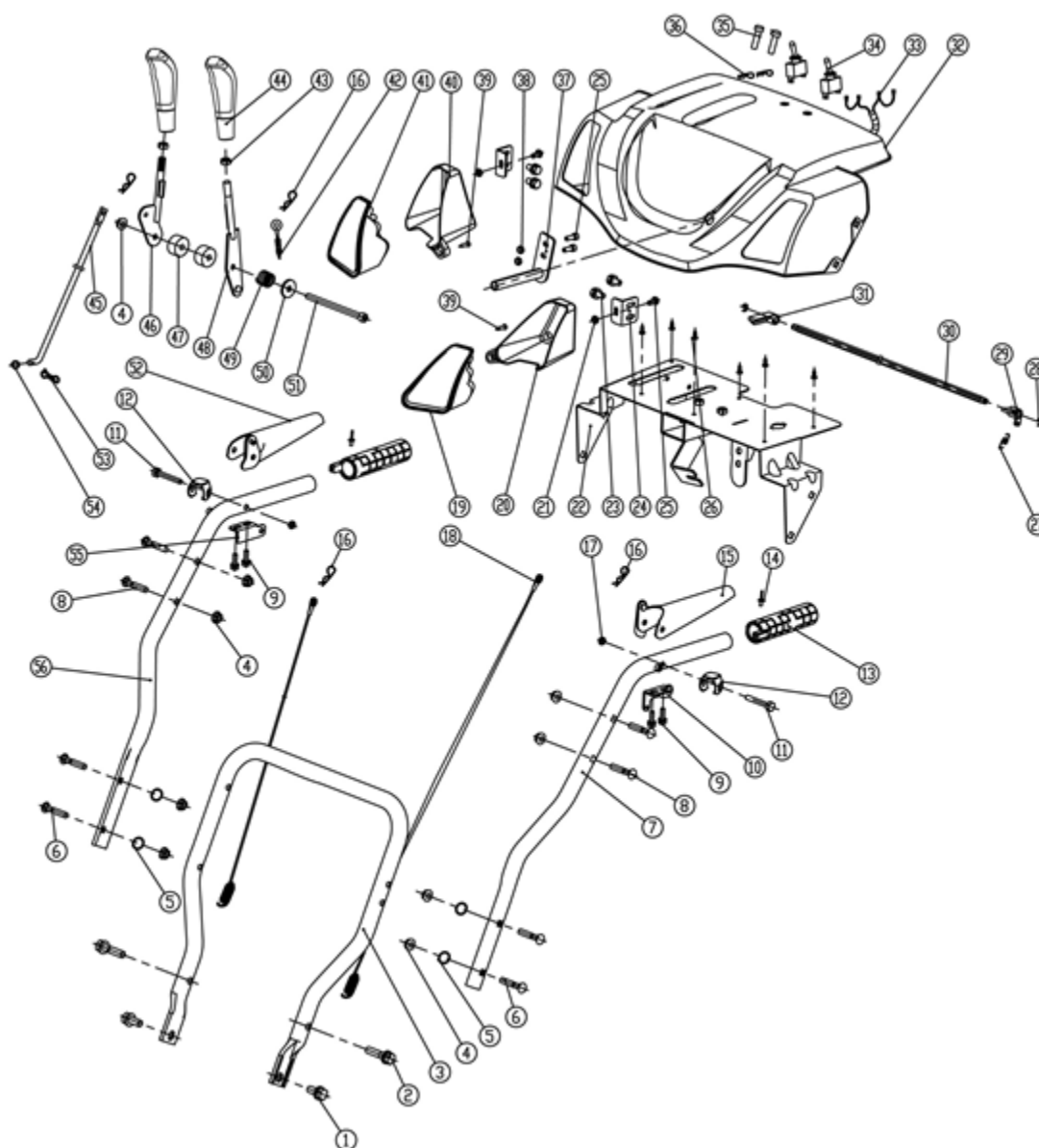


Nr.crt	Denumire produs	Product name	Cod comanda
5	saiba 8X22X2	washer 8x22x2	ps6900.2020-1-5
6	tija de conectare	connecting rod	ps6900.2020-1-6
9	saiba capac curea	belt cover washer	ps6900.2020-1-9
11	suport spirala	spiral support	ps6900.2020-1-11
12	conector	connecting part	ps6900.2020-1-12
13	pin arc 3X16	spring pin 3x16	ps6900.2020-1-13
14	spirala	spiral welding part	ps6900.2020-1-14

## Producător motoutilaje

## Documentatie tehnică

15	surub M5X10	screw M5x10	ps6900.2020-1-15
16	capac	rotat cover	ps6900.2020-1-16
18	saiba	washer	ps6900.2020-1-18
21	ansamblu jgheab	chute assembly	ps6900.2020-2-21
23	saiba arc	spring washer 6	ps6900.2020-2-23
24	surub M6X16	screw M6x16	ps6900.2020-2-24
25	saiba jgheab	chute washer	ps6900.2020-2-25
26	bloc fix	fixed block	ps6900.2020-2-26
27	curea	belt	ps6900.2020-2-27



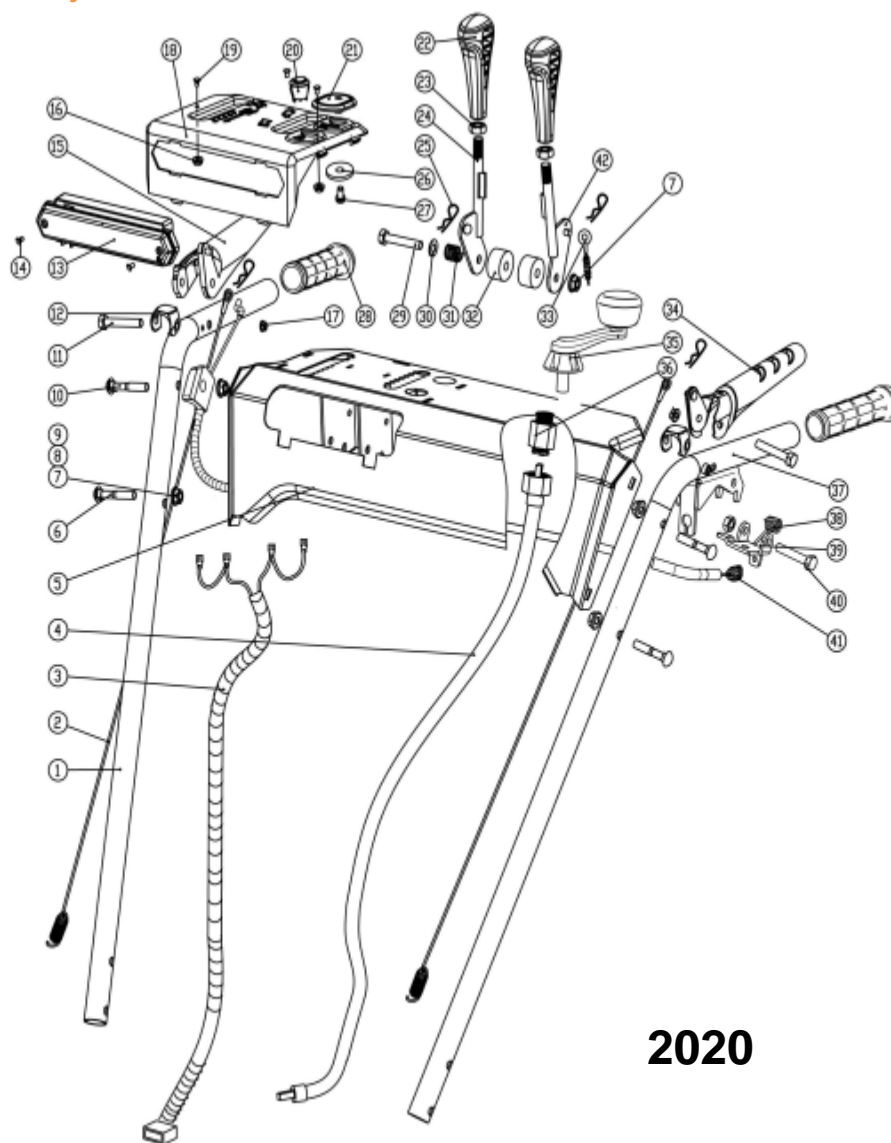
Nr.crt	Denumire produs	Product name	Cod comanda
1	surub m10x20	hex bolt M10x20	ps6900-2-01
2	surub m10x45	hex bolt M10x45	ps6900-2-02
3	suport coarne	lower handle	ps6900-2-03
4	piulita m8	hex locking nut M8	ps6900-2-04
5	saiba 8	washer8	ps6900-2-05
6	surub m8x42	T bolt M8x42	ps6900-2-06
7	corn stanga	upper handle(left)	ps6900-2-07
8	surub m8x40	bolt M8x40	ps6900-2-08
9	surub m6x12	hex bolt M6x12	ps6900-2-09
10	suport ax stanga	hex shaft supportor(left)	ps6900-2-10
11	surub	handle bolt	ps6900-2-11
12	suport maneta	handle pad	ps6900-2-12
13	maner incalzit	heated handle	ps6900-2-13
14	nit 4x10	rivet 4x10	ps6900-2-14
15	maneta control stanga	control handle,left	ps6900-2-15
16	siguranta 1.5x25	B pin 1.5X25	ps6900-2-16
17	piulita m6	hex locking nut M6	ps6900-2-17
18	cablu	long wire	ps6900-2-18
19	far stanga	left light	ps6900-2-19
20	capac far stanga	light rear cover,left	ps6900-2-20
21	piulita m6	hex locking nut M6	ps6900-2-21
22	suport panou	panel bracket	ps6900-2-22
23	surub m6x16	hex bolt M6x16	ps6900-2-23
24	suport far	light stator	ps6900-2-24
25	surub m6x12	hex bot M6x12	ps6900-2-25
26	surub st4.2x9-f	screw ST4.2x9-F	ps6900-2-26
27	arc	locking spring	ps6900-2-27
28	siguranta 6	stop ring 6	ps6900-2-28
29	blocator	locking block	ps6900-2-29
30	ax	hex shaft	ps6900-2-30
31	parghie de blocare	restoration block	ps6900-2-31
32	panou	plastic panel	ps6900-2-32
33	cablaj	input wire	ps6900-2-33
34	intrerupator	stir switch	ps6900-2-34
35	bolt	safety bolt	ps6900-2-35
36	siguranta	B pin	ps6900-2-36
37	bucsa ghidaj	guide sleeve assembly	ps6900-2-37
38	piulita m6	hex locking nut M6	ps6900-2-38

## Producător motoutilaje

## Documentatie tehnică

39	surub st4.2x16	screw ST4.2x16	ps6900-2-39
40	capac far dreapta	light rear cover,right	ps6900-2-40
41	far dreapta	right light	ps6900-2-41
42	cablu jgheab	chute cap wire	ps6900-2-42
43	piulita m10	hex nut M10	ps6900-2-43
44	maner	gears handle	ps6900-2-44
45	tija de legatura	gears connector	ps6900-2-45
46	maneta schimbator	walking handle bar	ps6900-2-46
47	manson	short sleeve	ps6900-2-47
48	maneta control jgheab	chute cap handle bar	ps6900-2-48
49	arc	spring	ps6900-2-49
50	saiba 9x24x2.5	washer 9X24X2.5	ps6900-2-50
51	surub m8x120	hex screw M8x120	ps6900-2-51
52	maneta control dreapta	control handle,right	ps6900-2-52
53	siguranta	B pin	ps6900-2-53
54	saiba 8	washer 8	ps6900-2-54
55	suport ax dreapta	hex shaft supportor(right)	ps6900-2-55
56	corn dreapta	upper handle(right)	ps6900-2-56





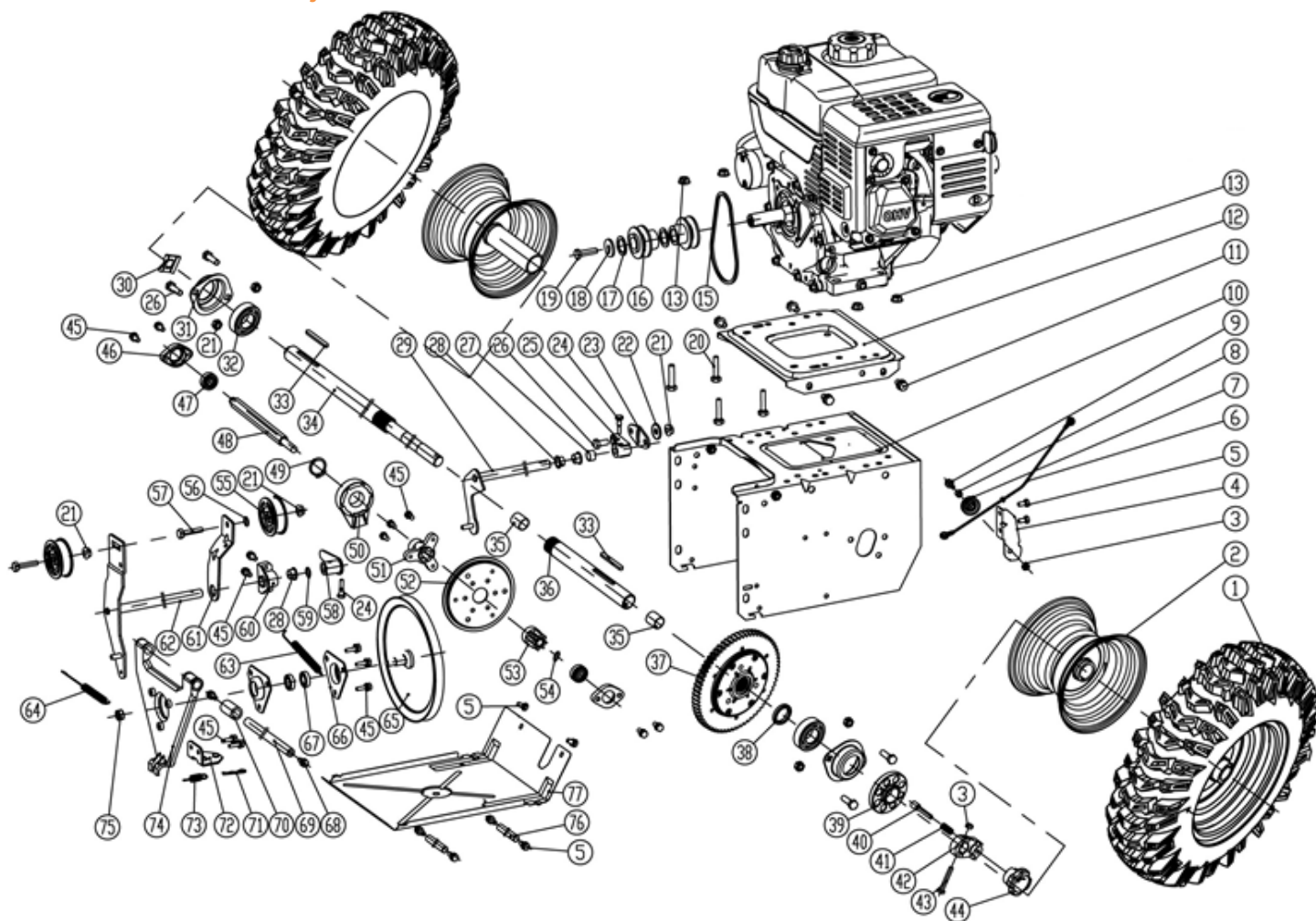
**2020**

Nr.crt	Denumire produs	Product name	Cod comanda
1	maner dreapta	handle,right	ps6900.2020-2-1
2	cablu actionare freze	long wire	ps6900.2020-2-2
3	cablu electric	electric wire 2	ps6900.2020-2-3
4	ansamblu ax	shaft assembly	ps6900.2020-2-4
5	panou de control	control panel	ps6900.2020-2-5
6	surub M8X40	bolt M8x40	ps6900.2020-2-6
7	piulita M8	hex locking nut M8	ps6900.2020-2-7
8	saiba 8X22X2	washer 8x22x2	ps6900.2020-2-8
9	saiba 8	waher 8	ps6900.2020-2-9
10	surub M8X45	bolt M8*45	ps6900.2020-2-10

## Producător motoutilaje

## Documentatie tehnică

11	surub	bolt	ps6900.2020-2-11
12	saiba	washer	ps6900.2020-2-12
13	lumini led	LED light	ps6900.2020-2-13
14	surub ST3.5X16F	bolt ST3.5x16F	ps6900.2020-2-14
16	piulita M6	hex locking nut M6	ps6900.2020-2-16
17	piulita M6	hex locking nut M6	ps6900.2020-2-17
18	panou plastic	plastic panel	ps6900.2020-2-18
19	surub M6x16	screw M6x16	ps6900.2020-2-19
20	intrerupator	switch	ps6900.2020-2-20
21	capac intrerupator	switc cover	ps6900.2020-2-21
23	saiba M10	hex nut M10	ps6900.2020-2-23
24	bara maneta	walking handle bar	ps6900.2020-2-24
25	pin B	B pin $\varnothing$ 1.5x25	ps6900.2020-2-25
26	capac inferior intrerupator	switch bottom cover	ps6900.2020-2-26
27	surub ST4.2X9.5-F	screw ST4.2X9.5-F	ps6900.2020-2-27
28	maner	handle	ps6900.2020-2-28
29	surub M8X120	hex screw M8x120	ps6900.2020-2-29
30	saiba 8	big washer 8	ps6900.2020-2-30
31	arc	spring	ps6900.2020-2-31
32	manson	short sleeve	ps6900.2020-2-32
35	ansamblu rotor	rotator assembly	ps6900.2020-2-35
36	suport inferior rotor	lower fixing seat for rotator	ps6900.2020-2-36
37	maner stanga	handle,left	ps6900.2020-2-37
38	arc opritor	stopper spring	ps6900.2020-2-38
39	opritor	stopper	ps6900.2020-2-39
40	surub M6*35	bolt M6*35	ps6900.2020-2-40
41	cablu actionare propulsie	cable for one hand control	ps6900.2020-2-41
42	parghie	adjust lever	ps6900.2020-2-42



Nr.crt	Denumire produs	Product name	Cod comanda
1	anelopa	15" trye	ps6900-3-01
2	janta	wheel hub	ps6900-3-02
3	piulita m6	hex locking nut M6	ps6900-3-03
4	suport fulie	pulley seat	ps6900-3-04
5	surub m6x12	hex bolt assembly M6x12	ps6900-3-05
6	cablu	short wire	ps6900-3-06
7	fulie	poulley	ps6900-3-07
8	manson	shaft sleeve	ps6900-3-08
9	surub m6x20	hex bolt M6x20	ps6900-3-09



## Producător motoutilaje

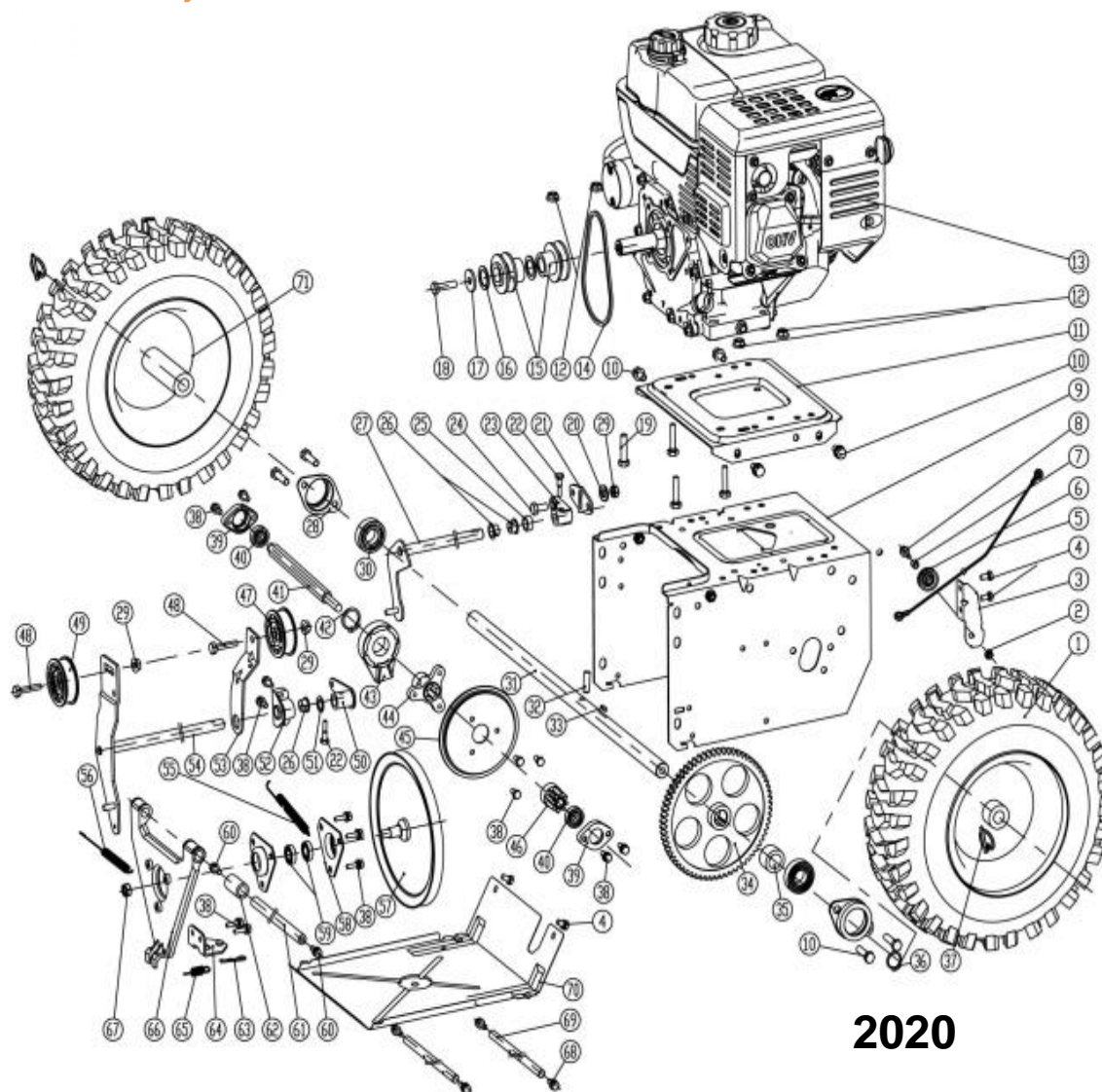
## Documentatie tehnică

10	carcasa transmisie	transmission box	ps6900-3-10
11	surub m8x20	hex bolt assembly M8x20	ps6900-3-11
12	suport motor	engine seat	ps6900-3-12
13	piulita m8	hex locking nut M8	ps6900-3-13
15	curea	belt	ps6900-3-15
16	fulie	poulley	ps6900-3-16
17	saiba	belt pulley washer	ps6900-3-17
18	saiba8	big washer 8	ps6900-3-18
19	surub m8x1x30	hex bolt M8x1x30	ps6900-3-19
20	surub m8x35	hex bolt M8x35	ps6900-3-20
21	piulita m8	hex locking nut M8	ps6900-3-21
22	saiba 8	washer 8	ps6900-3-22
23	placa ghidaj	gear plate	ps6900-3-23
24	surub m6x20	hex bolt assembly M6x20	ps6900-3-24
25	conector schimbator	gear connector	ps6900-3-25
26	surub m8x16	hex bolt M8x16	ps6900-3-26
27	bucsa	cushion cover	ps6900-3-27
28	manson ax	plastic shaft sleeve	ps6900-3-28
29	ax furca	shift fork	ps6900-3-29
30	siguranta	spring catch	ps6900-3-30
31	carcasa rulment	bearing seat	ps6900-3-31
32	rulment 6205	ball bearing seat6205	ps6900-3-32
33	pana 6x4x45	key 6x4x45	ps6900-3-33
34	ax lung	long shaft	ps6900-3-34
35	bucsa	bush	ps6900-3-35
36	ax scurt	short semiaxis	ps6900-3-36
37	ansamblu diferential	differential assembly	ps6900-3-37
38	saiba	washer	ps6900-3-38
39	placa	plate	ps6900-3-39
40	bolt	pin	ps6900-3-40
41	arc	spring	ps6900-3-41
42	suport	support	ps6900-3-42
43	surub m6x40	hex bolt M6x40	ps6900-3-43
44	maner	handle	ps6900-3-44
45	surub m6x16	hex bolt assembly M6x16	ps6900-3-45
46	carcasa rulment	inner bearing seat	ps6900-3-46
47	rulment 6000-zn	ball bearing6000-ZN	ps6900-3-47
48	ax	hex shaft	ps6900-3-48
49	zegher	spring catch 25	ps6900-3-49
50	rulment	bearing	ps6900-3-50
51	cuplaj	wheel seat	ps6900-3-51

## Producător motoutilaje

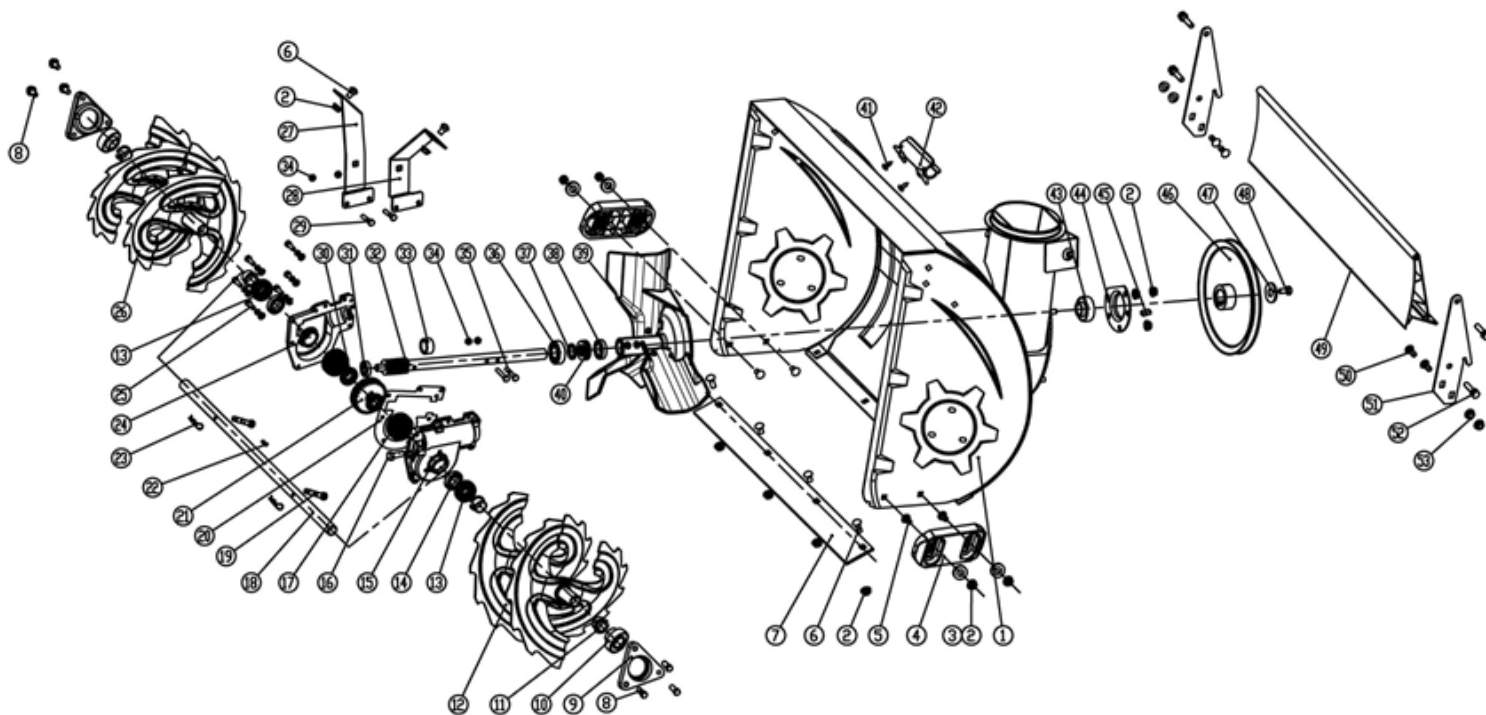
## Documentatie tehnică

52	fulie	friction pulley	ps6900-3-52
53	pinion	gear	ps6900-3-53
54	saiba 10x18x2	washer $\varnothing 10 \times \varnothing 18 \times 2$	ps6900-3-54
55	rola intinzator	small tension pulley	ps6900-3-55
56	saiba 8x16x2	washer $\varnothing 8 \times \varnothing 16 \times 2$	ps6900-3-56
57	surub m8x30	hex bolt M8x30	ps6900-3-57
58	conector intinzator	tension connector	ps6900-3-58
59	saiba grower 12	spring washer $\varnothing 12$	ps6900-3-59
60	scaun fixare ax	fixing seat for shaft	ps6900-3-60
61	placa intinzator	small tension plate	ps6900-3-61
62	placa rola intinzator	big tension assembly	ps6900-3-62
63	arc	spring	ps6900-3-63
64	arc	brake spring	ps6900-3-64
65	fulie	belt pulley	ps6900-3-65
66	carcasa rulment	hex bearing seat	ps6900-3-66
67	rulment 6002	ball bearing 6002	ps6900-3-67
68	surub m8x16	hex bolt assembly M8x16	ps6900-3-68
69	ax	shaft	ps6900-3-69
70	bucsa	spacer bush	ps6900-3-70
71	siguranta 1.5x25	B pin $\varnothing 1.5 \times 25$	ps6900-3-71
72	placa	connecting plate assembly	ps6900-3-72
73	arc	spring	ps6900-3-73
74	suport disc frictiune	fric disc bracket	ps6900-3-74
75	piulita m12	hex locking nut M12	ps6900-3-75
77	capac cutie de viteze	bottom plate for transmission box	ps6900-3-77



**2020**

Nr.crt	Denumire produs	Product name	Cod comanda
1	anvelopa 14*4.6-6	14*4.6-6 tyre	ps6900.2020-3-1
30	rulment 6304	ball bearing 6304	ps6900.2020-3-30
31	arbore transmisie	14" driving shaft	ps6900.2020-3-31
33	cheie paralela	parallel key 6x6x22	ps6900.2020-3-33
34	diferential	differential	ps6900.2020-3-34
35	bucsa	shaft bushing	ps6900.2020-3-35
36	saiba arc	spring washer 20	ps6900.2020-3-36
37	Pin D6X40	D pin 6x40	ps6900.2020-3-37
50	conector de tensiune	tension connector	ps6900.2020-3-50
53	placa de tensiune	small tension plate	ps6900.2020-3-53
69	bara	strut bar	ps6900.2020-3-69
71	butuc	wheel hub	ps6900.2020-3-71



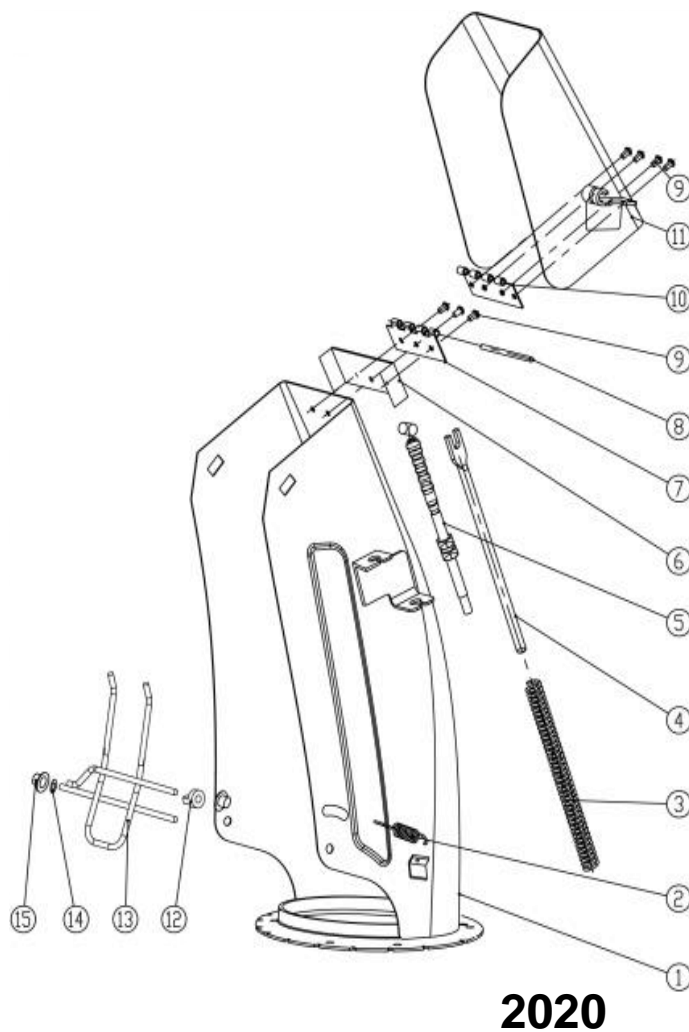
Nr.crt	Denumire produs	Product name	Cod comanda
1	cuva 26"	26" housing	ps6900-4-01
2	piulita m8	hex. Locking nut M8	ps6900-4-02
3	saiba 8	big washer8	ps6900-4-03
4	patine	skid shoe	ps6900-4-04
5	surub m8x20	carriage bolt M8x20	ps6900-4-05
6	surub m8x16	carriage bolt M8x16	ps6900-4-06
7	lama	scraper	ps6900-4-07
8	surub m8x16	bolt M8x16	ps6900-4-08
9	carcasa rulment	bearing cover	ps6900-4-09
10	rulment	bearing	ps6900-4-10
11	bucsa	driving shaft bush	ps6900-4-11
12	freza dreapta	right auger	ps6900-4-12
13	saiba	plastic washer	ps6900-4-13
14	simering 22x30x7	Fwsealing ring22x30x7	ps6900-4-14
15	semicarcter dreapta	worm case right	ps6900-4-15
16	surub m10x16	bolt M10x16	ps6900-4-16
17	rulment	bearing	ps6900-4-17
18	ax	output shaft	ps6900-4-18

## Producător motoutilaje

## Documentatie tehnică

19	bolt	safety bolt	ps6900-4-19
20	garnitura	paper washer	ps6900-4-20
21	roata melcata	worm gear	ps6900-4-21
22	pana b6x6x18	key B6x6x18	ps6900-4-22
23	siguranta	B pin	ps6900-4-23
24	semicarcter stanga	worm case left	ps6900-4-24
25	surub m6x25	screw M6x25	ps6900-4-25
26	freza stanga	left auger	ps6900-4-26
27	suport y dreapta	Ysupport,right	ps6900-4-27
28	suport y stanga	Y support,left	ps6900-4-28
29	surub m6x30	hex bolt M6x30	ps6900-4-29
30	saiba 22	washer 22	ps6900-4-30
31	rulment 6001	ball bearing 6001	ps6900-4-31
32	ax melcat	worm shaft	ps6900-4-32
33	tampon	pad	ps6900-4-33
34	piulita m6	hex locking nut M6	ps6900-4-34
35	surub m6x35	hex bolt M6x35	ps6900-4-35
36	rulment 6004	ball bearing 6004	ps6900-4-36
37	manson ax	shaft sleeve	ps6900-4-37
38	simering b20x35	seal ring B20X35	ps6900-4-38
39	turbina	fan	ps6900-4-39
40	rulment 51104	ball bearing 51104	ps6900-4-40
41	surub st4.2x9.5-f	screw ST4.2x9.5-F	ps6900-4-41
42	suport lopatica	shovel bracket	ps6900-4-42
43	rulment sb204	ball bearing SB204	ps6900-4-43
44	carcasa rulment	bearing cover	ps6900-4-44
45	pana a6x6x20	key A6x6x20	ps6900-4-45
46	fulie	belt pulley	ps6900-4-46
47	saina 10	big washer 10	ps6900-4-47
48	surub m10x25	hex bolt M10x25	ps6900-4-48
49	panou superior 26"	higher panel 26"	ps6900-4-49
50	surub m8x20	bolt M8x20 (optional)	ps6900-4-50
51	placa prindere panou superior	side plate for higher panel	ps6900-4-51
52	surub m8x20	hex assembly bolt M8x20(optional)	ps6900-4-52
53	piulita m8	hex locking nut M8(optional)	ps6900-4-53





**2020**

Nr.crt	Denumire produs	Product name	Cod comanda
1	ansamblu jgheab	chute assembly	ps6900.2020-5-1